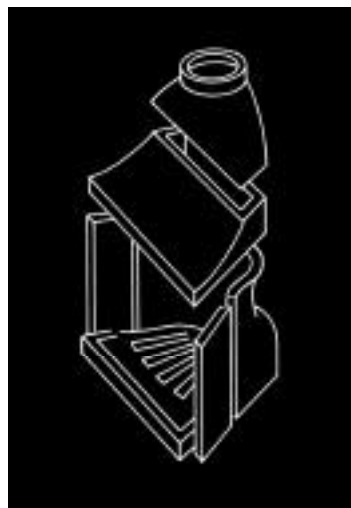
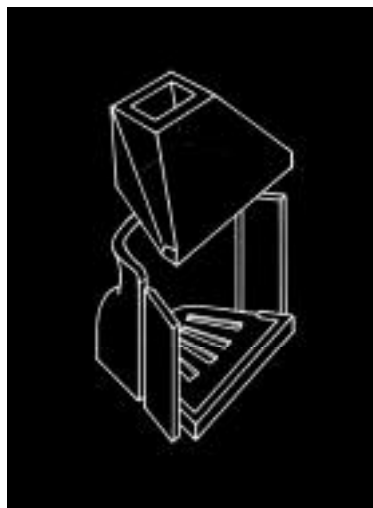


BELLFIRES®



Installation

Bellfires®

BM Models:

BM 21

BM 25

BM 28

BMR Models:

BM 21R

BM 25R

BM 28R

SLEEPY HOLLOW CHIMNEY SUPPLY, LTD.

85 Emjay Blvd.

Brentwood, New York 11717

1-800-553-5322 • FAX 631-231-2364

www.sleepyhollowchimneysupply.com • www.bellfiresusa.com

IMPORTANT SAFEGUARDS AND PRECAUTIONS

A properly installed Bellfires® BM or BMR fireplace and its associated components form a safety tested system. This manual serves as a guide for the proper and safe installation of a Bellfires® fireplace. It does not serve as a substitute for the necessary professional judgment and skills of a trained installer. Instead, it should be used in conjunction with standard safety considerations including, but not limited to, applicable state or provincial and local fire codes, the National Fire Protection Association Standard NFPA 211 or Canadian Standard B365, building and inspection codes, and the trained installer's professional judgment and skills to provide the owner with a safe installation. Please save these instructions for any future repairs or use.

Safe and efficient operation of the Bellfires® BM or BMR fireplace and its associated components mandates installation of this unit in accordance with this installation guide. Proper installation requires an installer skilled in standard construction techniques. The installer must read and understand the contents of this manual before starting the installation.

**WARNING:
DO NOT PACK REQUIRED AIR SPACES
WITH INSULATION OR OTHER MATERIALS!!!!**

Consult the local and state or provincial building and fire safety code officials and investigate the requirements for installing a factory-built fireplace in the homeowner's community. It is the responsibility of the installer to (1) obtain a building permit for installation of a Bellfires® BSV fireplace before construction begins and, (2) assure the installation meets or surpasses all minimum requirements of the homeowner's jurisdiction.

It is highly recommended the homeowner install a smoke detector.

Failure to use components provided or specified by Sleepy Hollow Chimney Supply, Ltd., manufacturers of Bellfires®, in accordance with this installation guide may create a fire hazard. Use of other components or misuse of Bellfires® components voids the Bellfires® warranty.

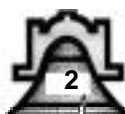
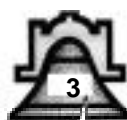


Table of Contents

Important Safeguards and Precautions	2
Introduction	4
Bellfires® Firebox Sizing Chart	5
BM Parts	6
BMR Parts	7
BM,BMR Exploded Views	8-10
BSV Spider Damper Parts	12
Safety Guidelines	13
BM, BMR Steps to Installation	14-28
BMR Specific Installation Steps	29-32
Bellfires® Spider Damper	33-34
Build the Best Fire in the World	35
Operation & Maintenance	36
Warranty	37



Introduction

Early fireplaces were very inefficient, drawing a good deal of the heat up the chimney while admitting an unbearable amount of smoke into the room. In the late 1700's, Benjamin Thompson, Count of Rumford, recognizing that a fireplace heats an area by radiation, began a series of experiments aimed at improving its performance.

He discovered through observations and various constructions that the exaggerated width of the chimney of his time, necessitated by the need for room for a chimney sweep to climb through the throat area into the flue, was a primary cause of inefficiency and smokiness. He attributed the problem not only to the chimney, but the width of the throat and also specific fireplace dimensions and configurations. Using the knowledge gained from his studies, Rumford modified the traditional fireplace design into one that burned cleaner and hotter and, most importantly, did not smoke. His efforts greatly improved the performance of the fireplace.

Later, in the 1900's, a series of scientific experiments were conducted by Professor Peter O. Rosin, Dr. Ing., under the auspices of the British Coal Utilisation Research Association. The results are documented in his report, "The Aerodynamics of Domestic Open Fires". Through the use of laboratory equipment, Dr. Rosin was able to observe air and smoke flow patterns and thus developed the ideal firebox and chimney shape for maximum efficiency. While expanding on Rumford's work, some of Dr. Rosin's findings varied dramatically from Rumford's earlier theories; perhaps the most notable being the smoke shelf theory, shown diagrammatically at the left.

The important point of Dr. Rosin's work is that it was performed in a scientific manner and pointed the way to a much more efficient and functional fireplace. Bell of England took this information and applied it to develop the Bellfire Fireplace, providing the ideal firebox and throat shape to guarantee a smoke-free efficient fireplace capable of producing maximum radiant heat with minimum fuel. It was commonly used to heat the complete home until the second World War. Since then it has been further developed by using more modern aerodynamic concepts and thermal insulation techniques

to improve the design.

Sleepy Hollow Chimney Supply has optimized the Bellfires® designs, and produced a superior radiant firebox combining advanced casting techniques and high temperature, high alumina ladle cast refractory. We feel confident that our Bellfires® units are the finest heat-producing open fireplaces to be found, whether used to upgrade old metal or masonry fireboxes or in new construction.

The Super Vent is the Repair Unit with the addition of a correctly proportioned Smoke Chamber design, constructed of type 316 stainless steel for lifetime durability.

The Smoke Chamber is connected to a properly sized round or oval Super Flex® flexible flue liner. Cera-Foil® space age insulating blanket insulates the entire Super Vent™ system, stopping heat transfer to combustibles—the cause of home fires. In homes where the fireplace is in question for whatever reason, the Bellfire Super Vent has established itself as a safe, state-of-the-art, non smoking super radiant fireplace retrofit system.

A top mounted round damper with a control key at the firebox level helps to prevent cold air from draining into an unused fireplace and help ensure a warm flue for instant draft. Super radiant heat output and thorough combustion provide ample warmth and fuel efficiency that sets new standards for the open hearth. The refractory firebox stores heat and warms the house long after the flames have died out.

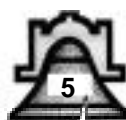


Bellfires® Firebox Dimension Sizing Chart

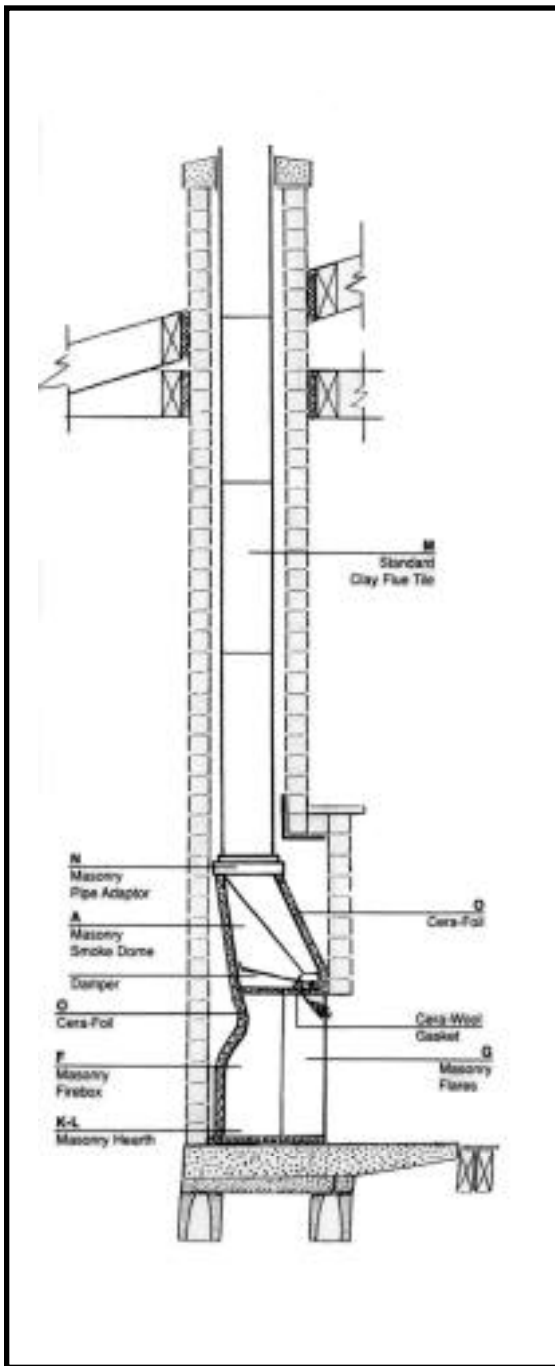
Bellfires® Quick Reference Chart
Models 21, 25, and 28 (includes tall)

		HEIGHT →											
		22	23	24	25	26	27	28	29	30	31	32	33
W I D T H ↓	21	21			21-T								
	22												
	23												
	24												
	25	21			21		21-T		21-T		25-T		
	26												
	27												
	28												
		21			21 25 28		21-T 25 28		21-T 25-T 28-T				
	29												
	30												
	31												
32				25		25-T							
33													
34													
35													
36				28		28-T							
37													
38													
39													
40				28									
41													
42													

Use this chart to determine which Bellfires® size firebox to install.



Essential Components of a BM Installation



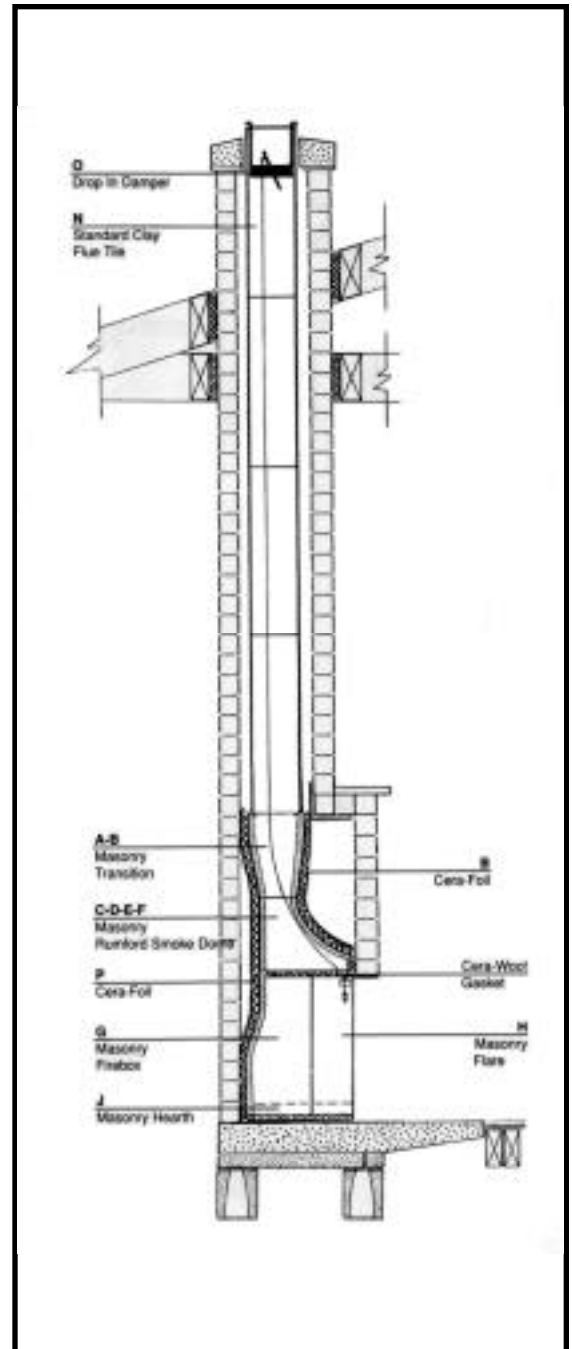
	BM 21	BM 25	BM 28
A	16"	20½"	20½"
B	9½"	12¼"	12¼"
C	10"	9"	9"
D	11"	13¼"	14"
E	23¼"	26¼"	29¼"
F	25½"	28½"	28½"
F tall	30½"	33½"	33½"
G	8½"	8½"	8½"
H	17"	21"	19¾"
I	23"	27½"	31½"
J	41½"	49"	49"
J tall	46½"	54"	54"
K	20½"	25"	29"
L	31½"	—	42"
M	7"	7" – 8"	8"
N	7"	7" – 8"	8"
O	1"	1"	1"
Q	4½"	4½"	4½"

The Bellfires® cutaway diagram at the left shows components necessary for a complete BM installation.

The key above shows specifications for individual models.

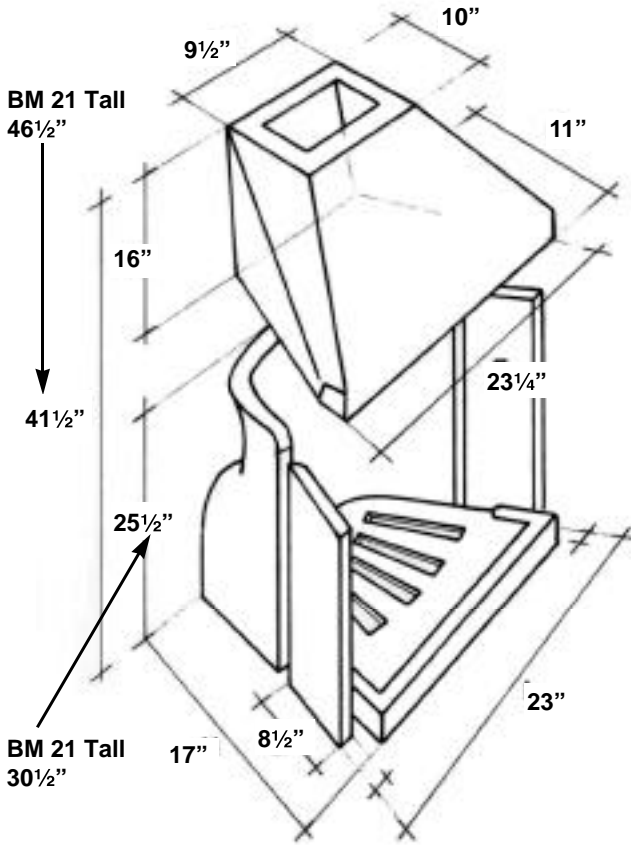
Essential Components of a BMR Installation

	BM 21R	BM 25R	BM 28R
A	7"	—	8"
B	12"	—	14"
C	10"	14"	14"
D	7"	7"	7"
E	16"	18½"	18½"
F	32½"	39½"	39½"
G	25½"	28½"	28½"
G tall	30½"	33½"	33½"
H	9½"	9½"	9½"
I	17"	21"	19½"
J	23"	27½"	31½"
K	47½"	—	56½"
K tall	52½"	—	61½"
L	20½"	25"	29"
M	31½"	—	42"
N	7"	7" – 8"	8"
O	7"	7" – 8"	8"
P	1"	1"	1"
Q	4½"	4½"	4½"

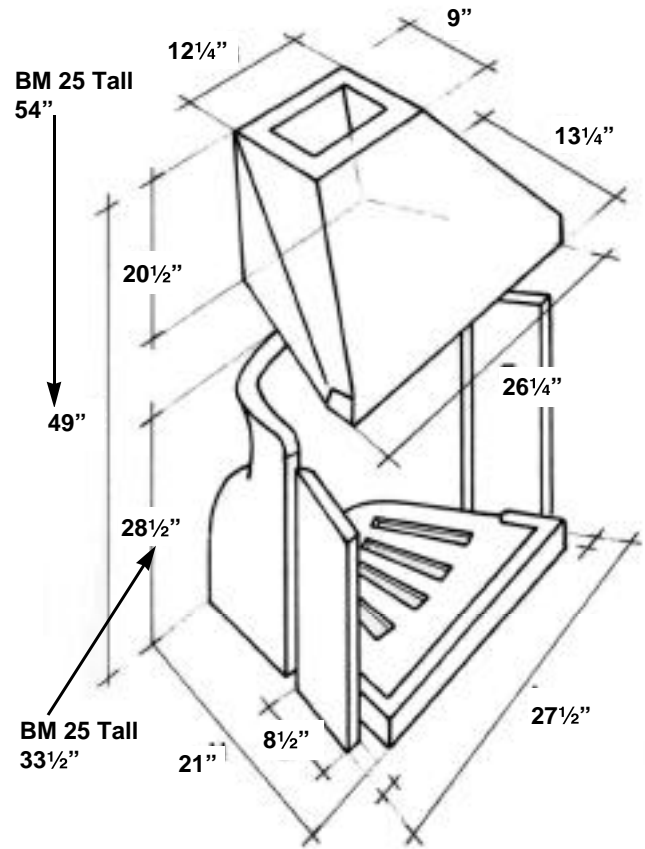


The Bellfires® cutaway diagram at the left shows components necessary for a complete BMR installation.

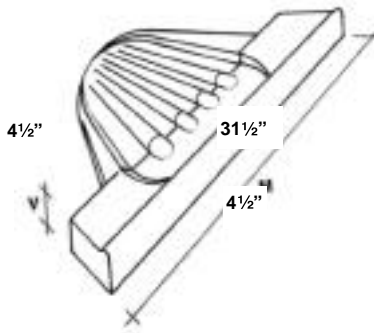
The key above shows specifications for individual models.



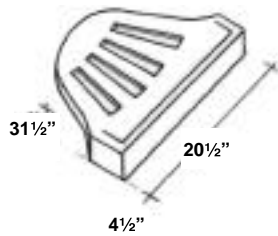
BM 21 Tall & Standard



BM 25 Tall & Standard



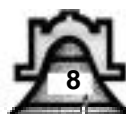
Two Piece Hearth

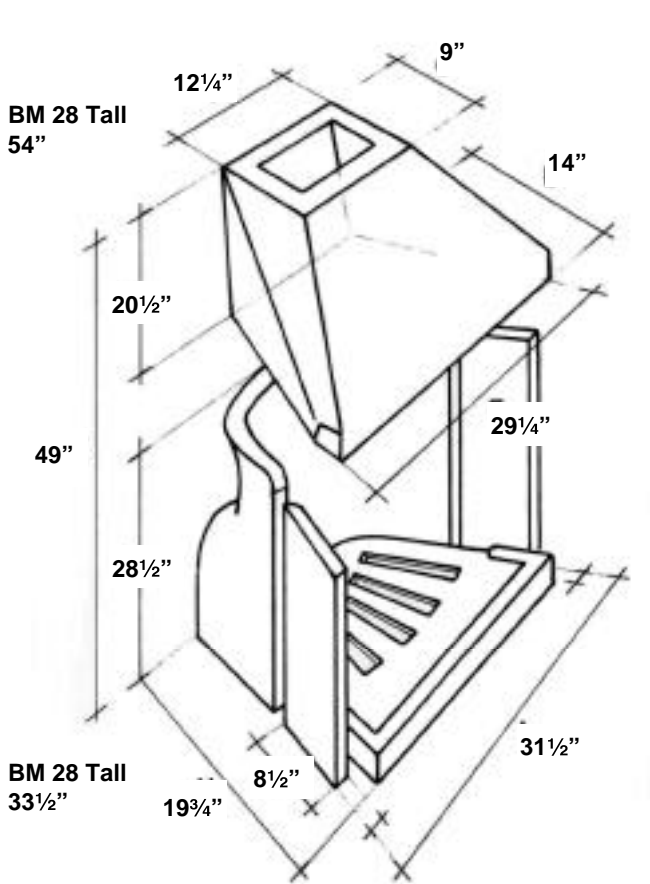


One Piece Hearth



One Piece Hearth

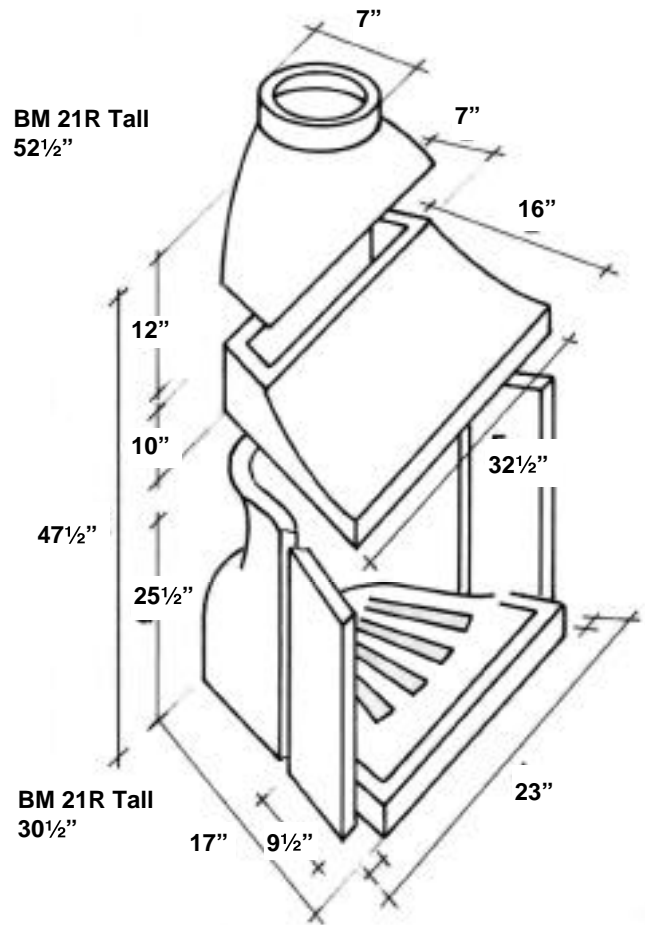




BM 28 Tall
54"

BM 28 Tall
33 1/2"

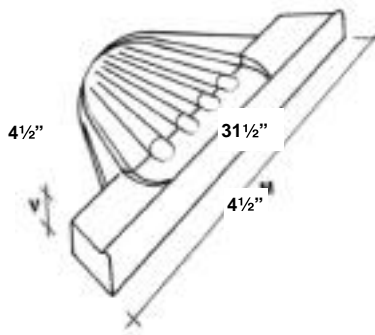
BM 28 Tall & Standard



BM 21R Tall
52 1/2"

BM 21R Tall
30 1/2"

BM 21R Tall & Standard

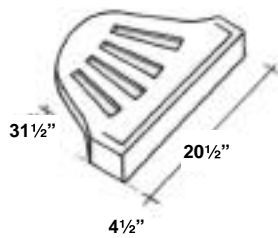


4 1/2"

31 1/2"

4 1/2"

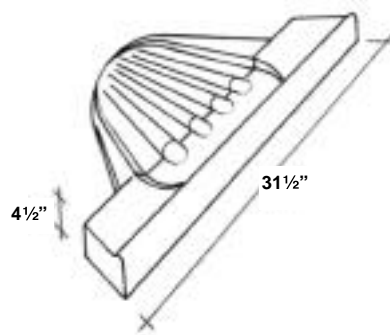
Two Piece Hearth



31 1/2"

4 1/2"

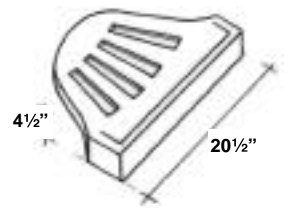
One Piece Hearth



4 1/2"

31 1/2"

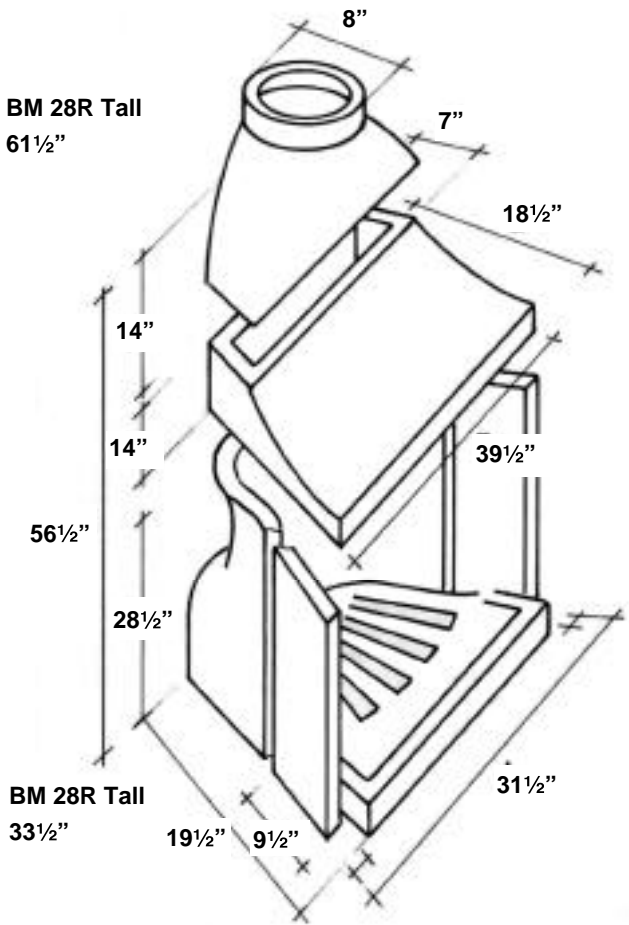
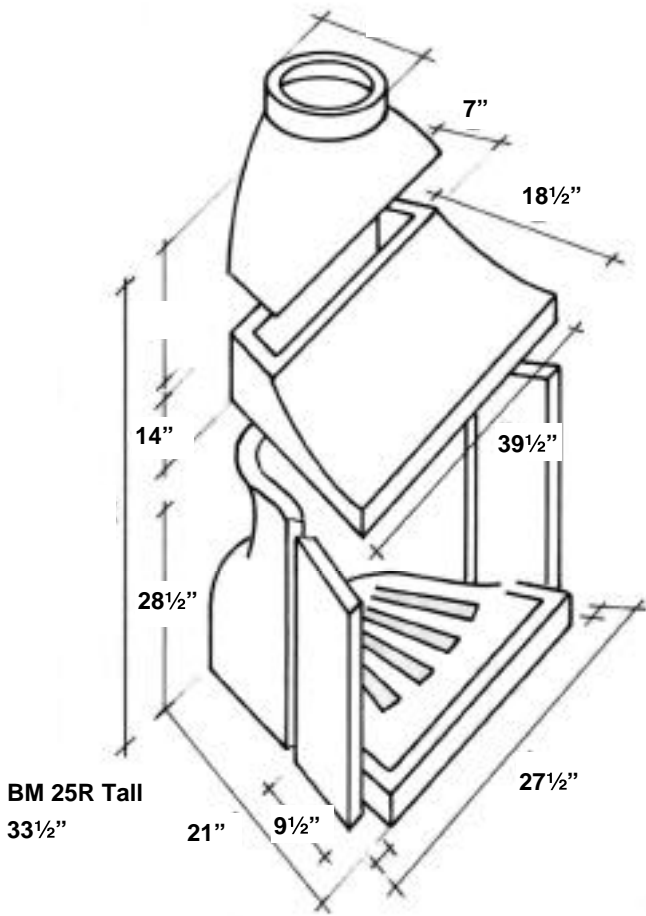
Two Piece Hearth



4 1/2"

20 1/2"

One Piece Hearth

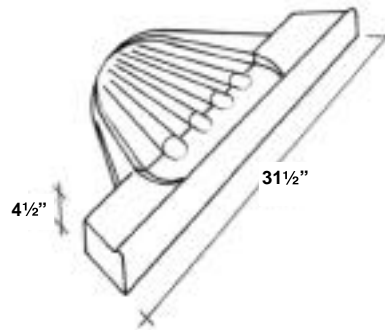


BM 25R Tall & Standard

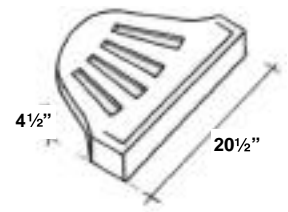
BM 28R Tall & Standard



One Piece Hearth



Two Piece Hearth



One Piece Hearth



BSV Spider Damper Parts

For use with BMR Bellfires; add to order

1- Drop In Damper



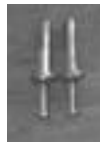
28' Stainless Steel Cable



1 -Bracket



2 -Hammer Drive Pins



1- Stainless Steel Sash Chain



1 -Stainless Steel Ring (attach to chain)



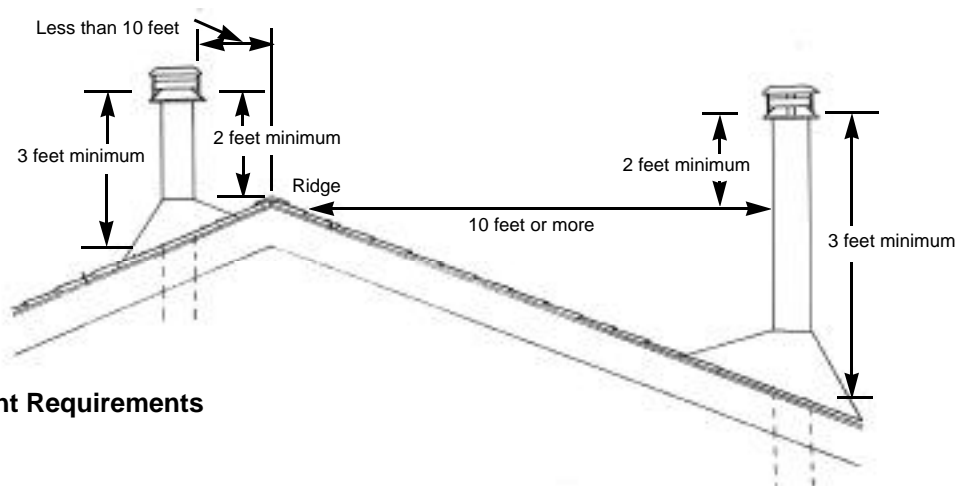
1 -Stainless Steel Clamp (attach to cable)

You need....

- Ladder
- Hammer Drill
- 1/4 inch Masonry Drill Bit
- Safety glasses
- Wire Cutters
- Marker
- Flat Gasket or Silicone Caulk

Safety Guidelines

- A. Bellfires® fireplaces are not approved for use in mobile homes.
- B. There must be an air space clearance between the outermost portion of any section of the chimney system and any combustible surface. Although two inches is a typical clearance, adhere to the requirements set forth by the chimney manufacturer. Combustible surfaces include: ceilings, joists, flooring, walls, electrical wiring, insulation and roof structures.
- C. Never fill any required air space with insulation or other material.
- D. The chimney system must be vented to the outside.
- E. The chimney must extend at least three feet (900mm) above the roof and at least two feet (600mm) above any portion of the roof within 10 feet (3m).
- F. Maximum chimney height from the top of the firebox to the top of the chimney should not exceed 40 feet when supported solely by the fireplace, or 90 feet when resupported at or above 40 feet according to the chimney manufacturer's resupport specifications.
- G. Minimum chimney height from the top of the firebox to the top of the chimney must be 10 feet.
- H. The chimney must not be inclined more than 30 degrees from vertical. Greater angles result in hazardous deposits of soot and ash in flue.
- I. A maximum of two offsets (4 elbows total) is allowed in a chimney.
- J. Firestops and joist shields must be used at each floor level through which the chimney rises.
- K. There should not be any forced air furnace registers in the room within ten feet of the fireplace. They can cause negative pressure and create chimney down-drafts.
- L. Never mix parts of one chimney system with those of a different manufacturer. Do not install damaged chimney parts. Remember, more fires are caused by chimneys than by solid-fuel appliances.
- M. Practice good workmanship. Sloppy work could jeopardize the safety of the installation.



Chimney Height Requirements

Materials List



BLOCK AND BRICK SHELL NOT LISTED.

Wing walls: 12-10" X 8" X 16" Block
4- 4" X 8" X 16" Block
2- 4' X 8" X 56" Precast concrete lintels
4- Bags perlite for unit only

Brick ties

8" I.D. round flue liners or thimbles.
2- bags light masonry cement.
BM 28 with two piece hearth.
1- masonry pipe adaptor.
1" X 24" X 25' 8 lb. density CERAFOIL.
1/4" CERAFOIL gasket and hearth pad.
1- ROLL CERAFOIL tape.
1- 2 gallon pail SUPER CEMENT.



READ INSTRUCTIONS CAREFULLY BEFORE BEGINNING.

Thank you for purchasing the Bellfire masonry unit, BM 28 TALL. These instructions are specified for a 36" finished opening. But dimensions can be altered to accommodate Models BM 21, BM 25, and the smaller height units.

After determining the fireplace location, check with municipal codes to assure proper depth for footing requirements. Pour footer base minimum 4' wide X 8' Long X 12" thick using a 5 bag footer mix.

Construct block base minimum 32" X 64" O.D., finished size, up to desired height of fireplace floor. Allow 4" ledge at ground level for veneer material, brick or stone. Block width walls should be laid inside of base for support.



Cut the house wall rough opening at 56" wide X 60" high. (FIG.2A) Pour a concrete pad on block base 4"-6" thick and level off. If additional flue chamber is needed at lower level, build along with block base to a point higher than finished concrete pad. (FIG.2A 2B) The concrete pad must cantilever into formed floor joists, 24" for hearth. The BELL-FIRE performs best at floor level although a raised hearth may be used.



At this point the brick or stone veneer and 4" block back wall is built to a height of 56" above concrete pad. Use brick ties for fastening wing walls. (FIG.2, 2A)



Straight edge a pencil line off interior finished walls.
This line is the back of interior veneer material and also
the extension of the BELLFIRE flares.(FIG 2B)



With 10" block, build two wing walls against rough opening, flush with interior wall and pencil line. Use brick ties. (FIG.3) Stop wing walls at nearest block height above fire box, 40" on BM 28 TALL (FIG.3A)



Using a sheet rock knife, measure and cut three 33" tall sections of 1" Cera-Foil ceramic fibre high temperature insulating blanket. Allow 6" additional width on each side to insulate firebox extension flares. Cut foil side and stand in place between wing wall. (Fig. 4, 4A).



Place 1" thick sections of Cera-Foil in place between wing walls. This technique accomplishes the following. The ceramic fibre insulating hot face forces the refractory firebox to store more heat, creating a cleaner and hotter burning firebox. It also allows for a thermal expansion cushion with a built-in foil faced moisture barrier when the fireplace is exposed to the outside. (Fig 4A).





Install the refractory fire box between wing walls and position flare extensions for proper centering. Remove side flares after firebox is properly centered. (FIG.5)



Cut 1/4" CERAFOIL insulating blanket to shape of the two piece hearth, installing foil face down. (FIG.6) With masonry saw blade cut outer piece evenly on both ends for proper rib alignment. Install two piece hearth. (FIG.6A,6B)

Note on 6-A the preferred method of installation of side flare panels and front stretcher brick would be to rest flares on pad and cut stretcher to matching angles. 7-A shows a straight cut stretcher brick with cut shorter panels on top.





Cut bottom of flare extension to angle of hearth. Make sure the top is level with fire box. (FIG. 7,7B) With SUPER CEMENT, butter the flare groove, the edge of block wing wall, and bottom of flare. Secure flares in place. (FIG.7A) Cut off excessive cement. Flares should be flush with block wing walls.



Mix coarse pea size perlite with light masonry cement at a ratio of 7:1 (7 perlite, 1-masonry cement). No sand is needed. (FIG.8) Before adding water, mix ingredients thoroughly. Slowly add water, bringing mixture to a potting soil consistency. (FIG.8A)



Before pouring mixture, make sure the 1" CER-AFOIL is snugged against back of fire box. Pour mixture behind fire box tamping lightly in between pours. Fill open cores in block wing walls also. (FIG.8B, 8C)



Note CERA-FOIL used as a gasket/expansion joint at top of firebox 2-3". Peel off foil backing.

BM specific directions

Cut 1" CERAFOIL pieces for masonry canopy, overlapping outside edges. (Fig. 9) with CERAFOIL tape. Adhere insulation to masonry canopy. (FIG.9A) Make sure the CERA-FOIL pieces are 1" larger than the outside of the masonry canopy so that you can overlap the corners. Use CERA-FOIL tape to adhere CERA-FOIL to the canopy.



Cut 1/4" CERAFOIL in 2" wide strips, making a gasket in between firebox and masonry canopy. Remove foil from insulation. Install canopy on top of firebox, aligning inside back walls on both units. (FIG. 10)

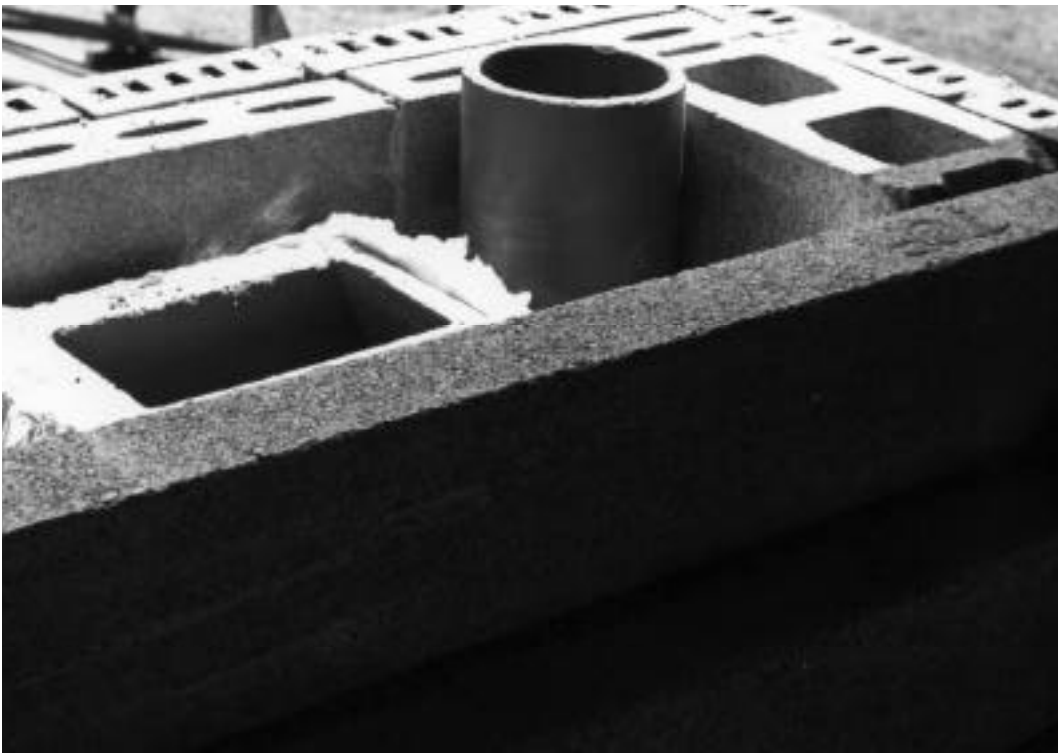


With 1" CERAFOIL, insulate around top round pipe adaptor. Use 1/4" insulation gasket between both units and secure in place (FIG. 10A)





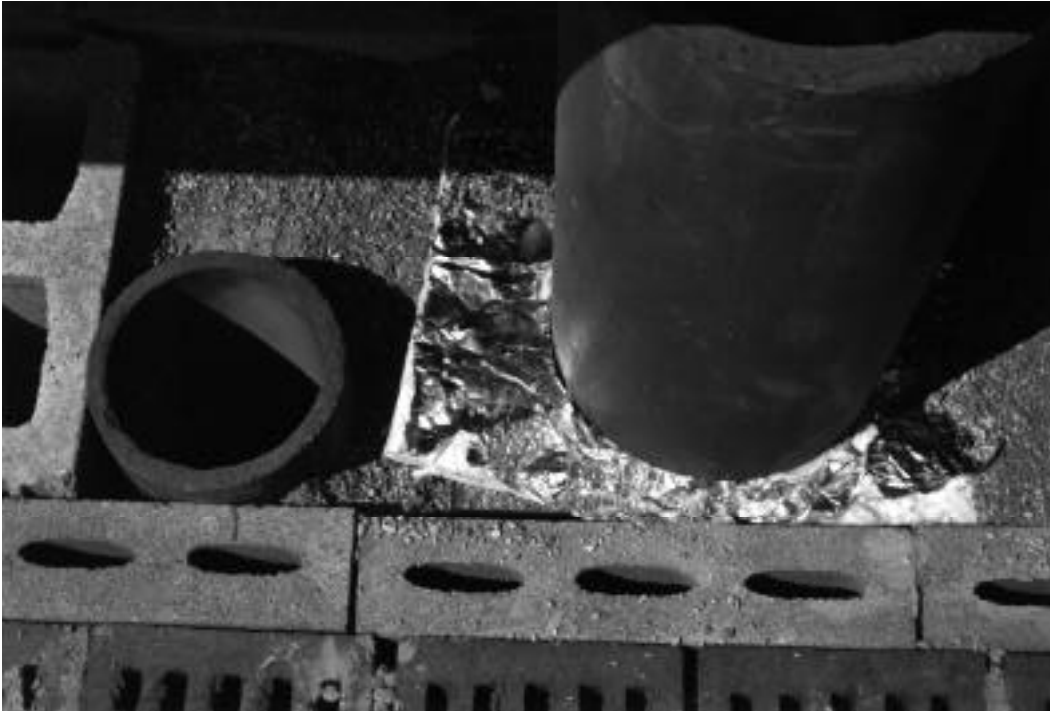
Lay another course of 10" block on wing walls leaving 4" open on outside edge. Span across outer edge of wing walls with one 4" x 8" x 56" pre-cast concrete lintel (FIG. 11) Pour the void between lintel and masonry dome with per-lite mixture. Lay the second 4" X 8"X 56" pre-cast lintel in place, offsetting the first one by 4".





Lay one block on each wing wall, filling the gap (FIG.11) on top of offset. Lay a course of 4" block leveling off the top. Don't forget brick ties for the veneer work. (FIG. 11B, 11C)





Using SUPER CEMENT, butter the bottom of the flue liner and secure to top of unit. (FIG.12) Fill the remaining void with perlite mixture. (FIG.12A, 12B)



From this point up the chimney is built in a normal fashion, although the void between the filler block and the liners should be filled with perlite mix. This assures expansion capabilities and insulating properties. After chimney is completed, return to the inside for the veneer of your choice.

BR specific directions



Install refractory dome on top of firebox aligning inside back walls flush on both units. (Fig 9). Make sure the CREA-FOIL pieces are 1" larger than the outside walls of the masonry dome, so you can overlap the corners. (Fig. 10).





Using SUPER CEMENT refractory mortar, butter top of refractory dome. (Fig). Place refractory turbo transition on top of refractory smoke dome, aligning inside back walls flush on both units. (Fig). With 1" CERA-FOIL, insulate around refractory turbo transition. (Fig).



Using SUPER CEMENT refractory mortar lay another coarse of 10" block on wing walls leaving 4" open on outside edge. Span across outer edge of wing walls with one 4" x 8" x 56" precast concrete lintel. (Fig). Pour the void between lintel and masonry dome with perlite mixture. Lay the second 4" x 8" x 56" precast lintel in place, offsetting the first by 4". (Fig).





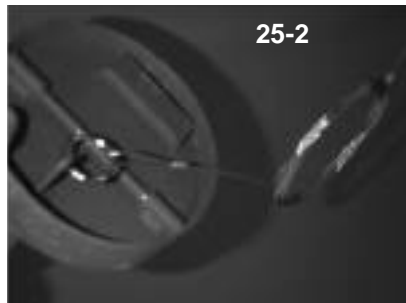
Using SUPER CEMENT, butter the bottom of the flue liner and secure to top of unit. (FIG.12) Fill the remaining void with perlite mixture. (FIG.12A, 12B)



From this point up the chimney is built in a normal fashion, although the void between the filler block and the liners should be filled with perlite mix. This assures expansion capabilities and insulating properties. After chimney is completed, return to the inside for the veneer of your choice.



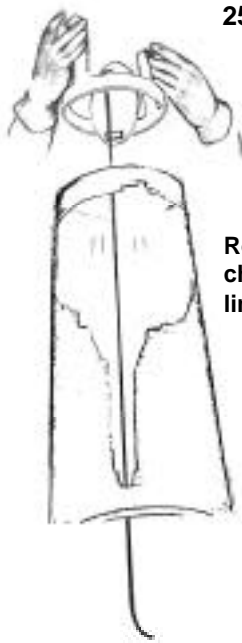
25-1



25-2

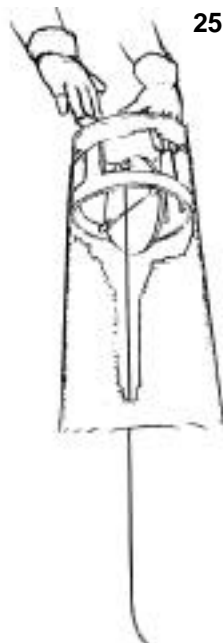
PLEASE NOTE!!!

The Spider Damper® may only be used with the Bellfires® BMR model. The Bellfires® BM is usually installed with rectangular tile and the Spider Damper is only usable with round liners. We recommend using a rectangular top mounted damper such as the Lyemance Locktop.

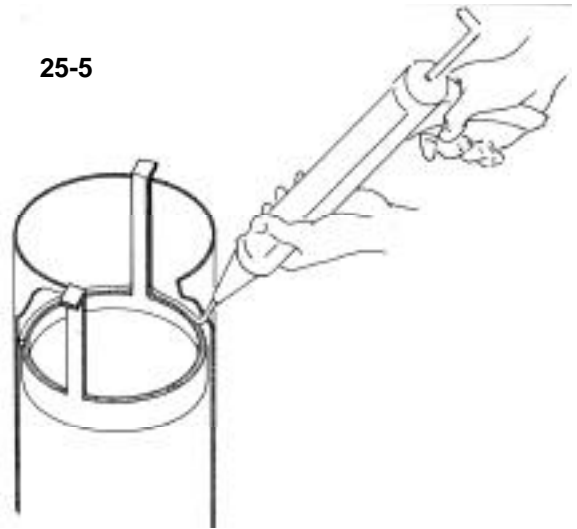


25-3

Round chimney liner



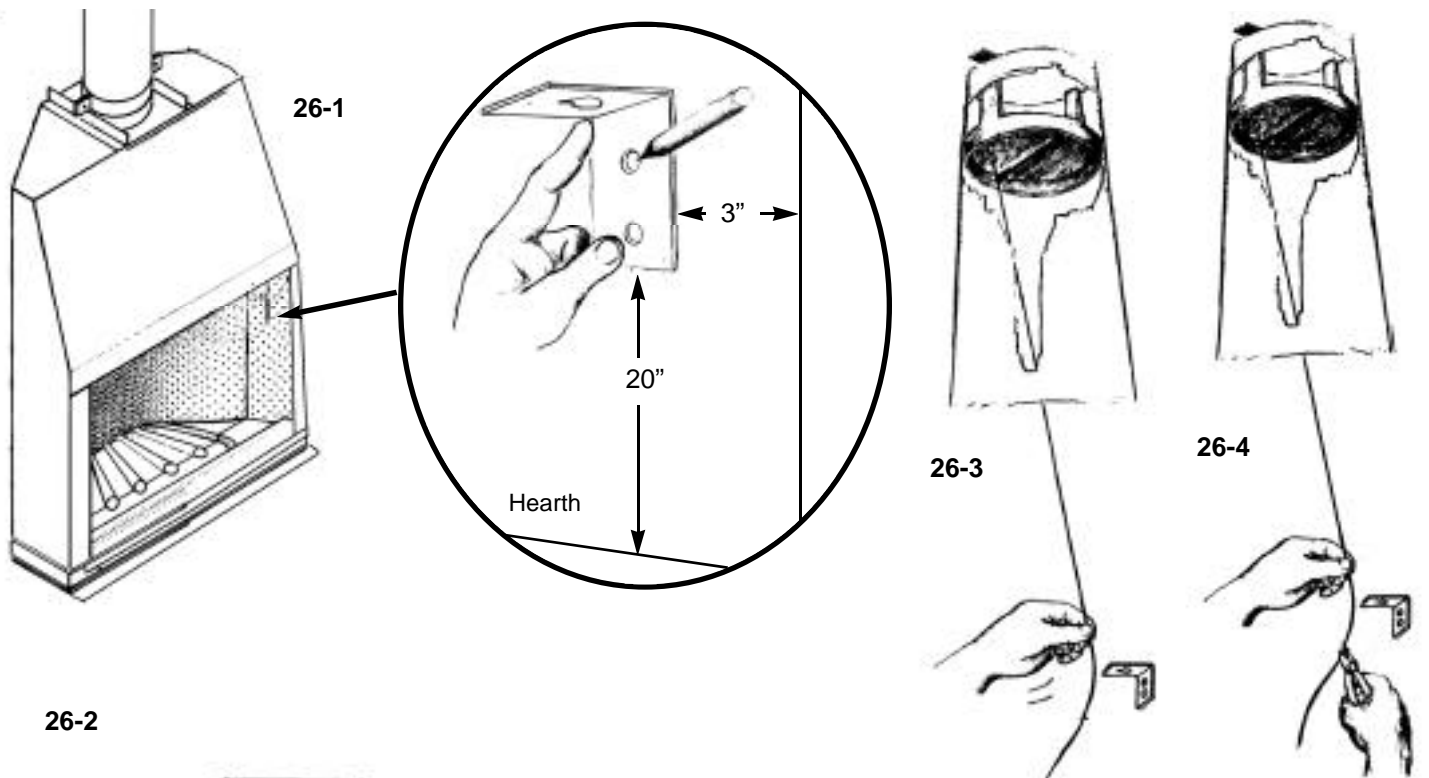
25-4



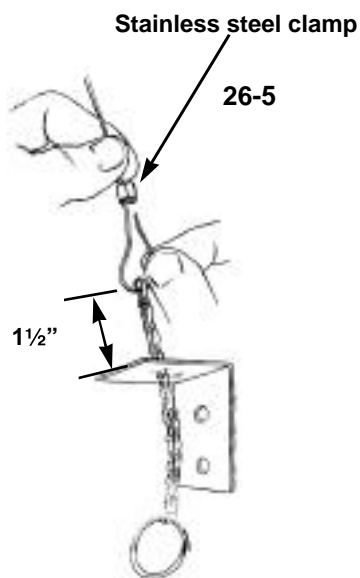
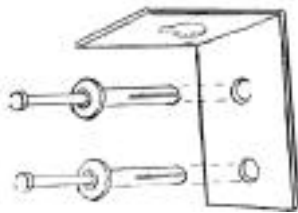
25-5

After the chimney liner has been installed, but before the chimney cap is placed, the top mounted Spider Damper must be installed. The Spider Damper is placed in the top section of the chimney liner.

The Spider Drop-in Damper (25-1) (Part #21) installs typically like other top mounted dampers. The bottom hook-up is also typical. Attach the ring on the 28' stainless cable (Part #22) to the underside ring of the Spider Damper. (25-2) The installer must go to the roof and place the Spider Drop-in Damper inside the top section of the chimney liner until handles of damper don't go any further down. (25-3, 25-4) Unroll cable, dropping it all the way down the flue until cable reaches the firebox. The important installation step to be observed is as follows: check for tightness in between flue walls and outside damper. Any air clearance should be sealed with flat gasket or silicone caulk. (25-5) Check damper plate to be sure it moves freely. Because blade is counterweight, damper should always be in the opening position.



26-2



Now, go back inside to the BMR firebox. Take the "L" bracket (Part #23) and place it at wall of firebox (26-1) about 20" from hearth and no less than 3" from outside opening. With a marker, mark the two openings of the "L" bracket onto the side of the firebox. (26-1) Be sure to wear your safety glasses. Using a masonry drill bit, drill two 1/4" inch holes into firebox on the marks you made. Attach "L" bracket with hammer driver. (Part #24) (26-2). Close damper by pulling cable until slight tension is felt. (26-3).

Cut stainless steel wire about 1 1/2 inch lower than the horizontal bar of bracket. (26-4).

Take opposite end to ring of stainless steel chain and slide it through bracket from bottom to top. Slide end of cable through first link of sash chain (Part # 25) (26-5) and through clamp (Part #26). Attach to cable by squeezing with pliers. At this time damper should remain closed. Position clamp and be sure that first link of chain is 1 1/2 inches over the horizontal of bracket. After the attach clamp is secure against cable your Spider Drop-in Damper is ready to be used.

Build the World's Best Fire

Handy Items to Have

A Fireplace Screen
A Kindling Ax (Be careful)
Stove Gloves
An Ash Rake

Think of your fuel load as three component parts:
The Base Course (can be unsplit if proper diameter)
The Middle Course (split)
The Top Courses (split finer)

THIS TYPE OF FIRE IS NOT RECOMMENDED FOR THE FIRST EIGHT TO TEN FIRES. BELLFIRES® MUST BE GRADUALLY BROKEN IN AND CURED WITH SMALL FIRES FOR THE FIRST EIGHT TO TEN FIRES.

DO NOT OVERFIRE YOUR BCC!!

A fireplace grate is not necessary with the BCC 28. A grate increases your critical burn rate allowing logs to burn faster than normal. Logs burn best in contact with hot firebrick in a bed of wood ashes.

Helpful Hints & Precautions before you start:

Make sure your fireplace and flue have been inspected for fire worthiness and are cleaned if found dirty (full of flammable cresosote), by a reputable Chimney Sweep. Make sure the damper is open. The damper is controlled from the keyed stainless cable and ring installed to either side of the firebox sidewall. Pull down and unhook to release the tension of the stainless steel cable. Pull down and rehook the cable to close the damper. There are no other settings than completely open or completely closed. If your fireplace and flue are located on an outside wall or, when the damper is open, you feel a flow of frigid air rushing down into the room, pre-heat the flue with a sheet of lit newspaper. Hold the lit newspaper high into the damper area, wearing a pair of stove gloves for protection. This will reverse the cold air plug present in the flue, creating a strong updraft with no smoke into your room. As soon as the newspaper is burned up, light your newspaper on top of your fuel load. Approximately 3-4 hours later when you have a nice bed of hardwood coals, use a fireplace rake to push the coals against the rear wall of the firebox. Next, lay your new logs, minimum of four, on top of the hot coals, lay the bottom two horizontally. The top two, a little shorter in length, place front to back approximately 3 inches apart creating a throat.

The greatest volume of smoke and particulate pollution from a wood fire occurs during a cold start up.

Wood fires lit from the bottom, in a conventional manner, promote a dirty burn and waste a large amount of potential heat in the form of unburned gases.

A clean and efficient method for kindling a fire is a top burn. This almost forgotten ancient European technique places the largest wood at the bottom in a criss cross crib fashion. As each tier is laid, the criss crossing becomes smaller. Kindling and a small amount of paper are placed on top and lit.

When the top burn fire is lit, the flames are always above the fuel load. The smoke and flammable gas from each tier of wood will always travel up through the flame and burn, thereby reducing particulate pollution and unburned fuel.

A top kindling fire also produces large and less compacted glowing coals, providing excellent long-lasting radiant heat.

A top burn fire laid with seasoned hardwood to a height of eighteen to twenty-four inches will burn approximately four hours without adding additional wood. The fire will be mesmerizing as each tier slowly ignites and burns its way down.

TOP BURN RECIPE

Always start with dry, well-seasoned, split firewood and kindling. (Ideally seasoned firewood will have a 20% moisture content. The wood will show radial cracks at the ends and sound like bowling pins when beaten together.)

Bottom layer:

Three good sized pieces of split hardwood five to six inches thick, laid front to back.

Second layer:

Three slightly smaller pieces of split firewood three to five inches thick, laid side to side.

Third layer:

Four to five smaller pieces of split firewood two to three inches thick, laid front to back. Keep alternating and decreasing in size with split hardwood until they are about one inch thick.

Now alternate two rows with split softwood (pine, spruce, etc.) until pencil thick. Place a small piece of newspaper on top and light.



BM, BMR Operating Instructions & Fireplace & Chimney Maintenance

*Keep These Instructions
for Future Use*

NEVER USE GASOLINE, GASOLINE-TYPE LANTERN FUEL, KEROSENE, CHARCOAL-LIGHTER FLUID, OR SIMILAR LIQUIDS TO START OR "FRESHEN UP" A FIRE IN THIS FIREPLACE. KEEP ALL SUCH LIQUIDS WELL AWAY FROM THE FIREPLACE WHILE IT IS IN USE.

Use solid wood or processed solid fuel firelogs only.

Do not poke or stir logs while they are burning. Use only firelogs that have been evaluated for the application in fireplace and refer to firelog warnings and caution markings on packaging prior to use.

Beware of burning certain materials in your fireplace. These items include plastic, poison ivy, and chemically treated woods such as pressure-treated lumber, discarded telephone poles, or railroad ties. These not only create air pollution, they can induce extreme illness or irritation for some individuals. Do not burn driftwood that has been in the ocean or in salt water as the salt will corrode the chimney. Do not abuse the fireplace by overfiring by burning paper, cardboard, or construction materials such as pressed wood, plywood, or lumber. Some fuels, such as charcoal, natural gas, etc., give off carbon monoxide when they burn. As this is a toxic gas you should insure that the fireplace does not spill flue gas into the house.

Disposal of Ashes

Ashes should be placed in a metal container with a tight fitting lid. The closed container of ashes should be placed on a noncombustible floor or on the ground well away from all combustible materials pending final disposal. If the ashes are disposed of by burial in soil or otherwise locally dispersed, they should be retained in the closed container until all cinders have thoroughly cooled. Ashes should never be placed in a container with combustible materials.

Chimney Maintenance

CREOSOTE-Formation and Need for Removal

When wood is burned slowly it produces tar and other organic vapors which combine with expelled moisture to form creosote. The creosote vapors condense in the relatively cool chimney flue of a slow burning fire. As a result creosote residue accumulates on the flue lining. When ignited this creosote makes an extremely hot fire.

The chimney should be inspected at least twice a year during the season to determine if creosote buildup has occurred.

If creosote has accumulated it should be removed to reduce the risk of a chimney fire.

Check the specific chimney manufacturer's instructions on removal of the chimney cap for chimney cleaning.

When the fireplace is first placed in use inspect the chimney frequently and clean the chimney anytime an accumulation of 1/8" thick or more is observed on the flue walls. The frequency of these inspections can be increased or reduced appropriately after a pattern of accumulation has been established. Please note however that changes in the outside environmental conditions such as temperature and humidity, or changes in the operation of the fireplace can lead to rapid buildup of soot and/or creosote.

To clean the chimney obtain the services of a qualified and reputable chimney sweep or remove the accumulation with brushes on wooden, poly, or fiberglass poles. Do not use metal pipes, chains, wires, etc., to clean the chimney because such items can scratch the surface of the stainless steel flue which can shorten the life of the flue and provide a rough surface for soot particles to attach to.

In addition to checking and cleaning the chimney on a regular basis, be sure to inspect the chimney before starting a fire at the beginning of each heating season. Make sure the chimney is clear from any accumulation of soot, creosote, or any other debris and that all chimney joints are intact.





CONDITIONS OF WARRANTY
LIFETIME WARRANTY

Bellfires® Manufacturing Company extends the following warranty on the BM or BMR, subject to the conditions of guarantee thereon. The fireplace is warranted for the lifetime of the original owner from the date of installation. If examination by the Bellfires® representative proves to our satisfaction that any part or portion of the fireplace is defective in material or workmanship, under normal use and service, such part or portion shall be replaced or repaired at no cost to you.

(A) Warranty may not be altered or extended by any of our dealers or agents, and except as provided herein, there are no other warranties. (B) Warranty does not cover damage resulting from misuse, abuse or accident. (C) Warranty shall be void if your unit is not operated in accordance with the operation instructions provided at time of purchase and outlined below, or if the unit has been removed from the place in which it was originally installed. (D) Hairline cracking on the surface of refractory components, a normal condition of use for refractory products, and/or cracking are expressly excluded from this warranty.

Important Instructions For Curing Refractory Fireplaces: (1) If the firebox has gotten wet, it must be dried slowly with a hair dryer or heat lamp before any fire is started. (2) The first eight fires must be built very small and well forward on the hearth so as not to contact the firebox. This will allow the unit to cure slowly by removing excess moisture in the refractory cavity behind the firebox, caused by the environment during storage or transportation, and mortar and materials used for installation. Proper curing eliminates the possibility of fracturing the firebox.

Dealer/Installer _____

Address _____

Dealer Signature _____ *Date* _____



