

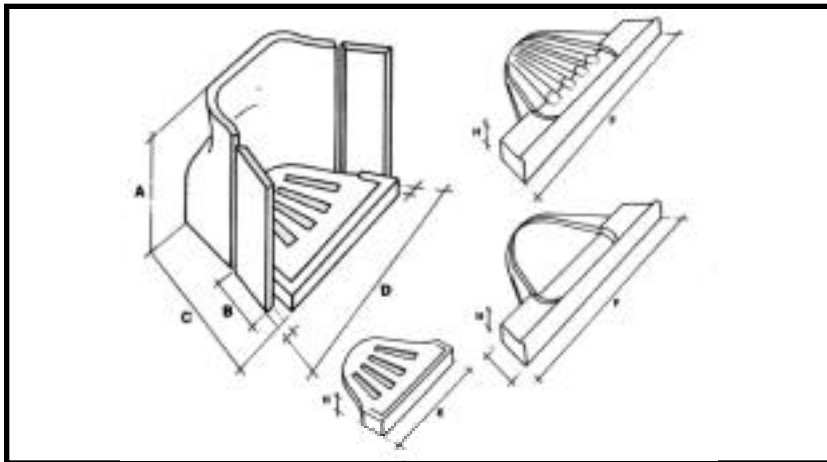
BELLFIRES[®]

The logo for Bellfires features the word "BELLFIRES" in a large, bold, black serif font. A horizontal line runs through the middle of the letters. Centered below this line is a stylized bell icon with a clapper, rendered in a black and white stippled or hatched style.

Dimensions



The Bellfires® BR Family

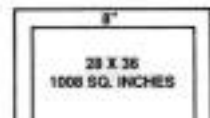
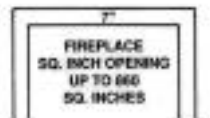
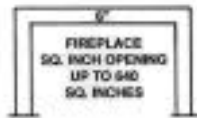


- A. NOTE If not installing a Bellfire® hearth brick, deduct 80 sq. inches from 6", 100 sq. inches from 7", 115 sq. inches from 8" gross firebox openings.
- B. NOTE: Larger ratios greater than 20-1 are possible depending on liner height, inside versus outside wall fireplace, etc.

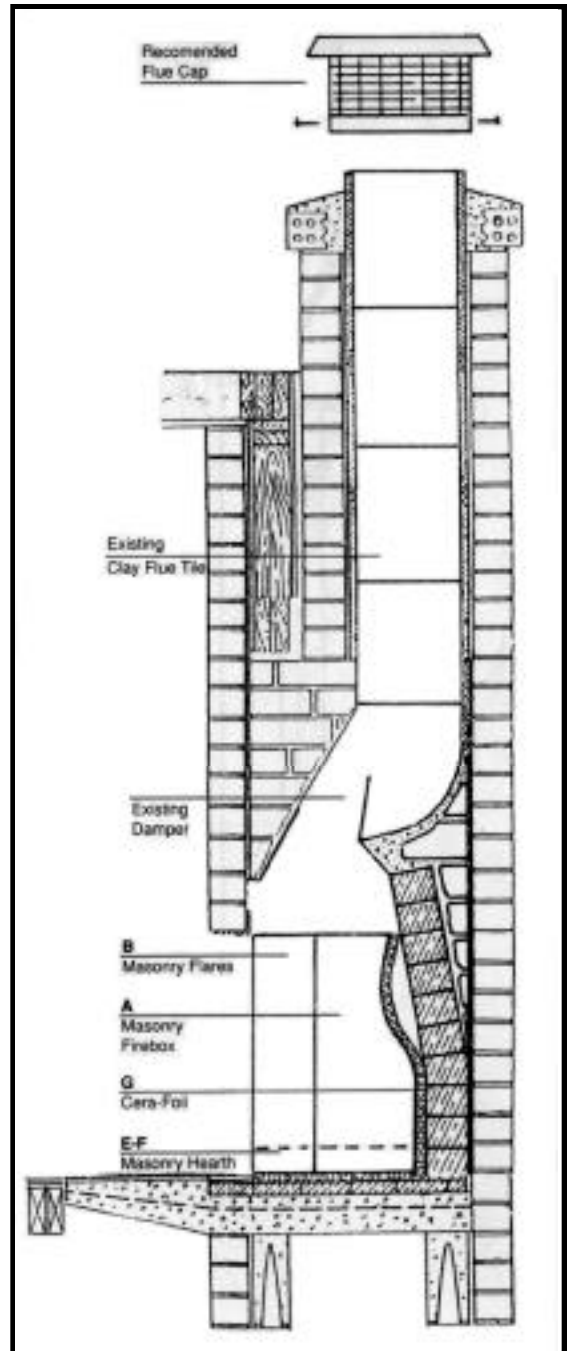
Bellfire Quick Reference Chart
Models BR21, 25, and 28 (includes tall)

HEIGHT →	22	23	24	25	26	27	28	29	30	31	32	33
	W I D T H ↓	21	21	21	21	21	21	21	21	21	21	21
21												
22												
23												
24												
25												
26												
27												
28												
29												
30												
31												
32												
33												
34												
35												
36												
37												
38												
39												
40												
41												
42												

SS Flue Liner to Fireplace Opening Ratio



Example: 28 x 36 fireplace opening = 1008
8" diameter liner or
6 x 10 Super Flex oval

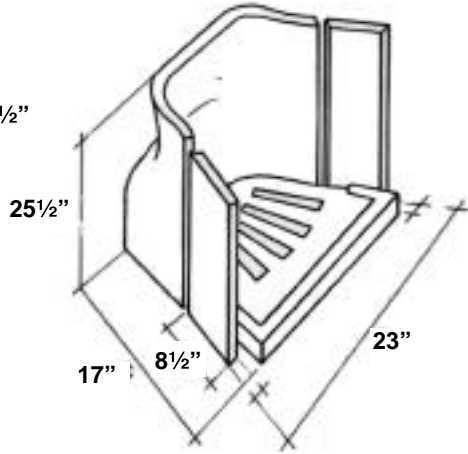


	BR21	BR25	BR28	BR36
A	25½"	28½"	28½"	28½"
A tall	30½"	33½"	33½"	33½"
B	8½"	8½"	8½"	8½"– 12"
C	17"	21"	19¾"	20½"
D	23"	27½"	31½"	40"
E	20½"	25"	29"	37"
F	31½"	–	42"	–
G	1"– ½"	1"– ½"	1"– ½"	1"– ½"
H	4½"	4½"	4½"	4½"

THE REPAIR RETROFIT UNIT

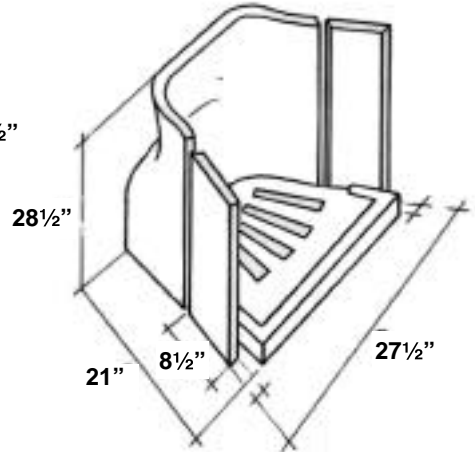
Retro fits into an existing masonry or metal firebox, old or new, utilizing the existing damper, smoke chamber and the tile lined flue, without altering the existing facing. This firebox is the basic building block in each of the four types of Bellfire® systems. By itself it retrofits into an existing conventional fireplace, transforming it into a real home heater, with dazzling beautiful flames. In two hours you can transform a smoking wood-eating fireplace into an elegant and efficient heater. The repair unit firebox can retrofit existing fireboxes up to 36" high and 48" wide. Fireplaces 60" wide require 2 repair units. All models include a hand forged ash rake and stove gloves.

BR 21
Tall 30½"

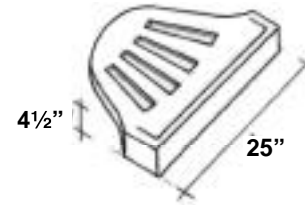
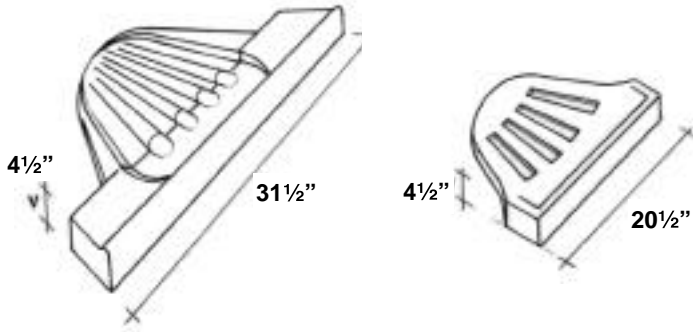


BR 21

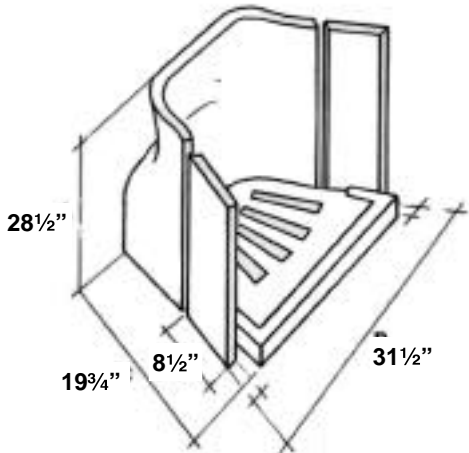
BR 25
Tall 33½"



BR 25

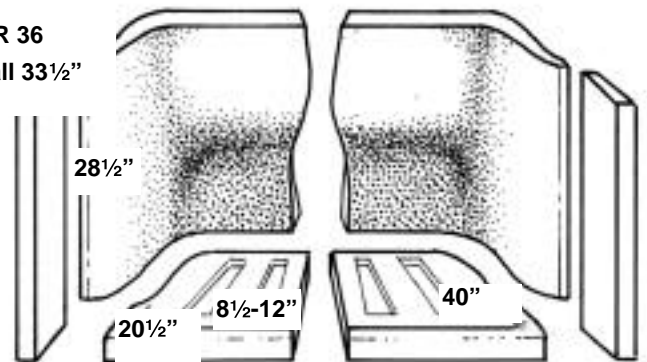


BR 28
Tall 33½"

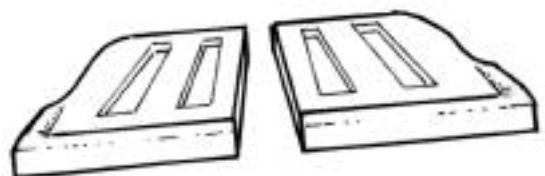
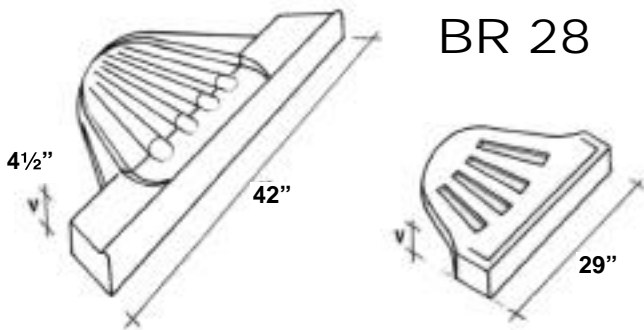


BR 28

BR 36
Tall 33½"



BR 36



The Bellfires® BM Family

THE MASONRY FIREPLACE

This is the unit for new construction. The world's best site built fireplace. Pre-engineered to save construction costs and costly construction mistakes. The same firebox as the Repair Unit, with the addition of a refractory smoke chamber with integral patented Bellfires® damper. All you have to do is the conventional masonry facing and chimney work—we have taken care of the hard part for you. A beautiful fireplace every time.

Masonry pipe adaptor to 7" or 8" diameter round. To be used with clay tile, Isokern®, Cerama Flue®, insulated chimney; also available: SS adaptor for SS applications.



Materials List

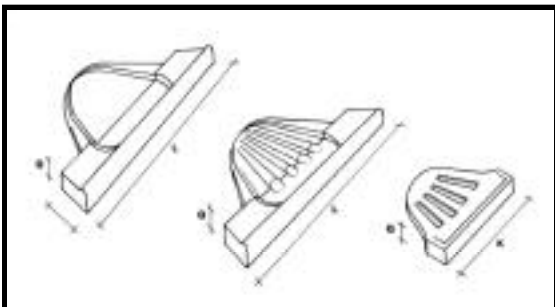
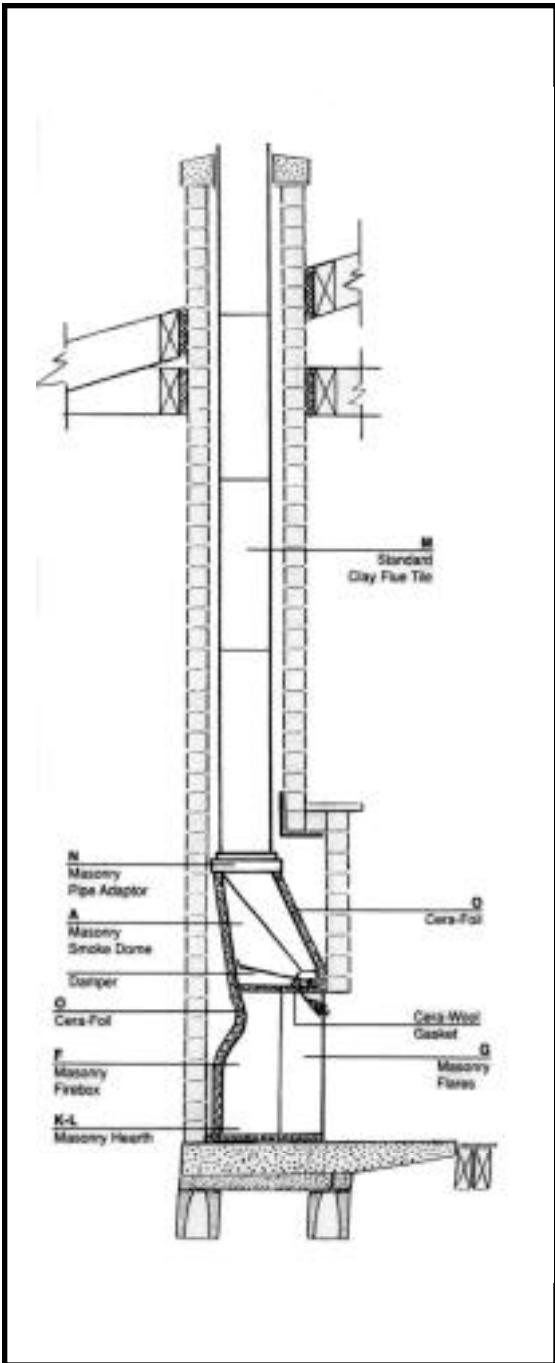
BLOCK AND BRICK SHELL NOT LISTED.

Wing walls: 12-10" X 8" X 16" Block
 4- 4" X 8" X 16" Block
 2- 4' X 8" X 56" Precast concrete lintels
 4- Bags perlite for unit only

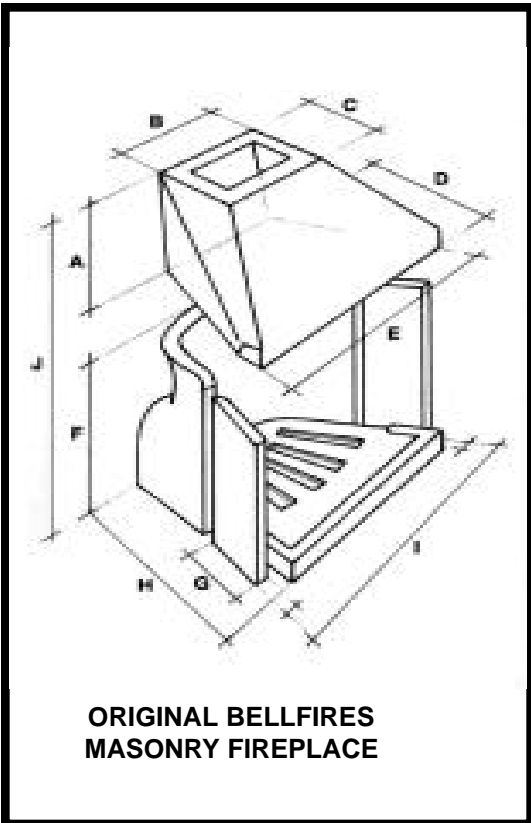
Brick ties

8" I.D. round flue liners or thimbles.
 2- bags light masonry cement.
 BM 28 with two piece hearth.
 1- masonry pipe adaptor.
 1" X 24" X 25' 8 lb. density CERAFOIL.
 1/4" CERAFOIL gasket and hearth pad.
 1- ROLL CERAFOIL tape.
 1- 2 gallon pail SUPER CEMENT.





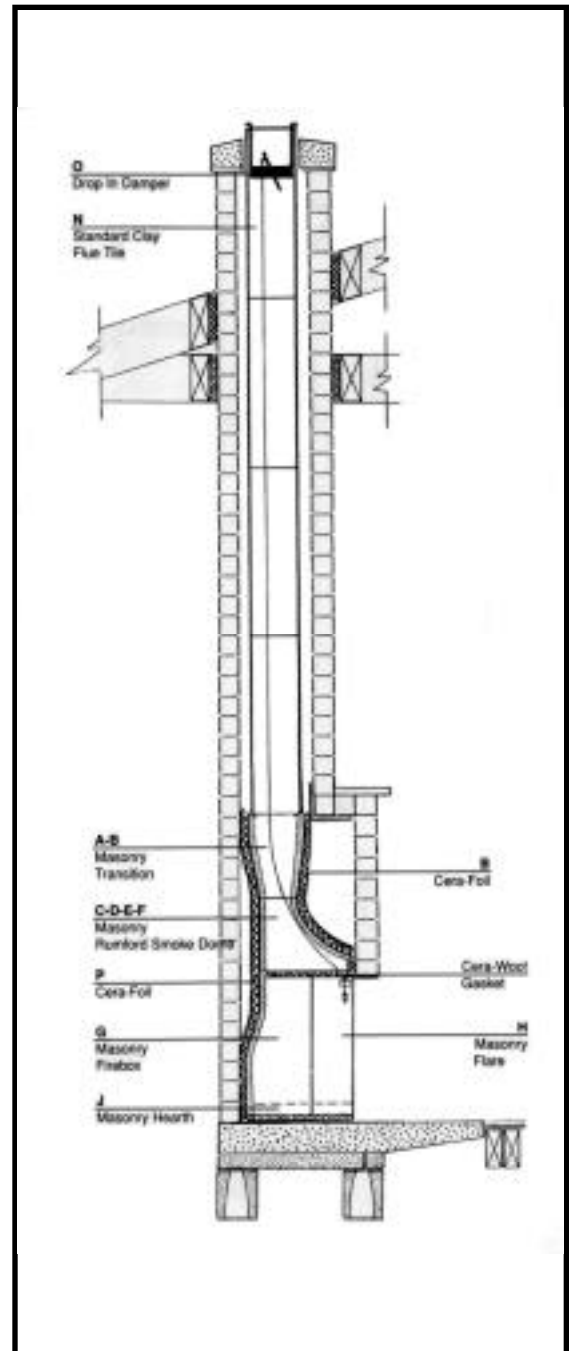
	BM 21	BM 25	BM 28
A	16"	20½"	20½"
B	9½"	12¼"	12¼"
C	10"	9"	9"
D	11"	13¼"	14"
E	23¼"	26¼"	29¼"
F	25½"	28½"	28½"
F tall	30½"	33½"	33½"
G	8½"	8½"	8½"
H	17"	21"	19¾"
I	23"	27½"	31½"
J	41½"	49"	49"
J tall	46½"	54"	54"
K	20½"	25"	29"
L	31½"	—	42"
M	7"	7" – 8"	8"
N	7"	7" – 8"	8"
O	1"	1"	1"
Q	4½"	4½"	4½"



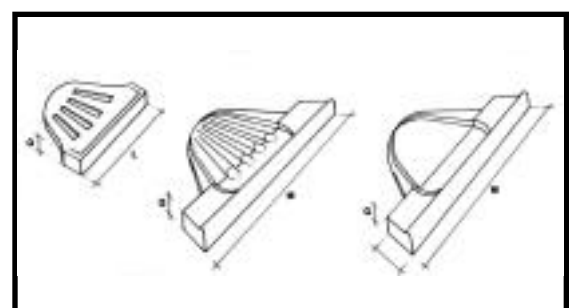
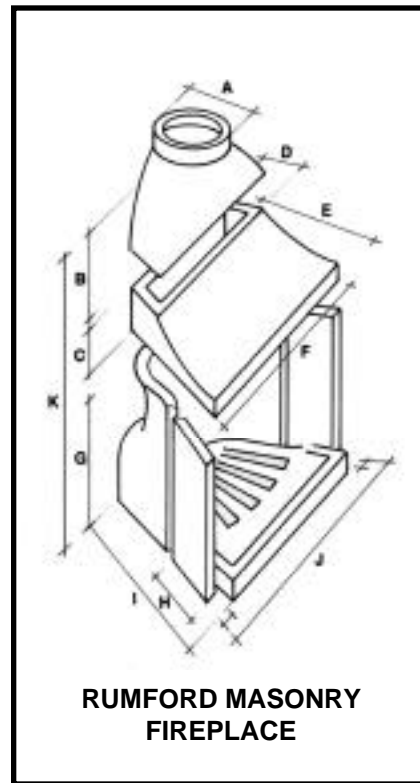


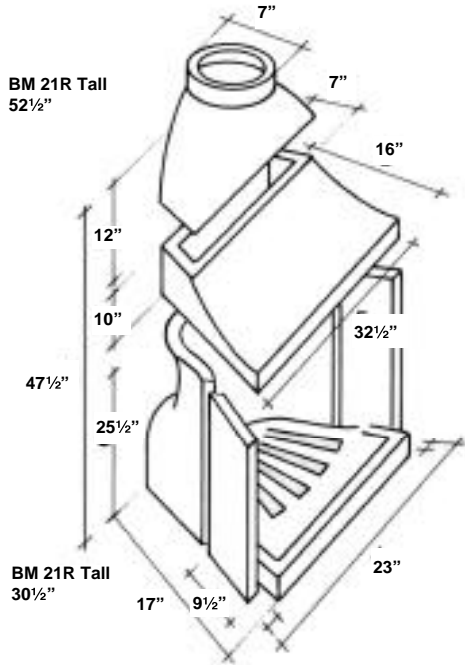
The Bellfires® BMR Family

	BM 21R	BM 25R	BM 28R
A	7"	—	8"
B	12"	—	14"
C	10"	14"	14"
D	7"	7"	7"
E	16"	18½"	18½"
F	32½"	39½"	39½"
G	25½"	28½"	28½"
G tall	30½"	33½"	33½"
H	9½"	9½"	9½"
I	17"	21"	19½"
J	23"	27½"	31½"
K	47½"	—	56½"
K tall	52½"	—	61½"
L	20½"	25"	29"
M	31½"	—	42"
N	7"	7" – 8"	8"
O	7"	7" – 8"	8"
P	1"	1"	1"
Q	4½"	4½"	4½"

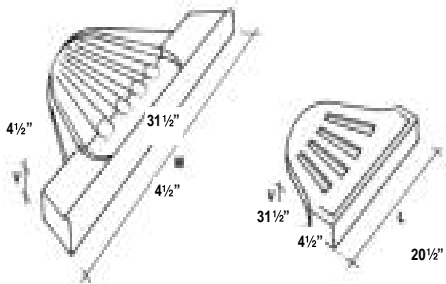


THE MASONRY FIREPLACE
 New Advanced Masonry Rumford Smoke Chamber With Transition Now Available This is the unit for new construction. The world's best site built fireplace. Pre-engineered to save construction costs and costly construction mistakes. The same firebox as the Repair Unit, with the addition of a refractory smoke chamber with integral patented Bellfires® damper. All you have to do is the conventional masonry facing and chimney work—we have taken care of the hard part for you. A beautiful fireplace every time. Masonry pipe adaptor to 7" or 8" diameter round. To be used with clay tile, Isokern®, Cerama Flue®, insulated chimney; also available: SS adaptor for SS applications.

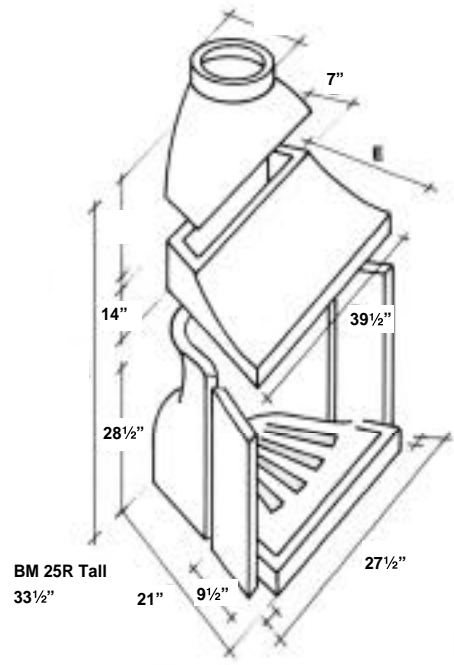
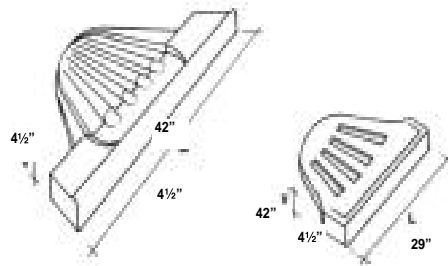




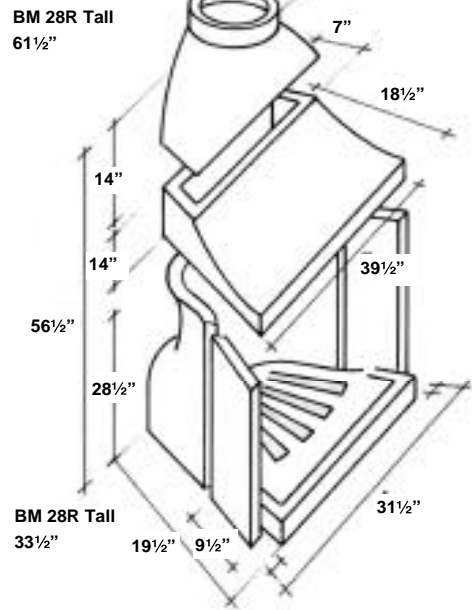
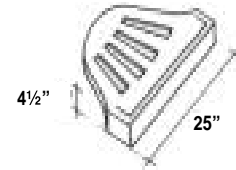
BM 21R



BM 28R



BM 25R

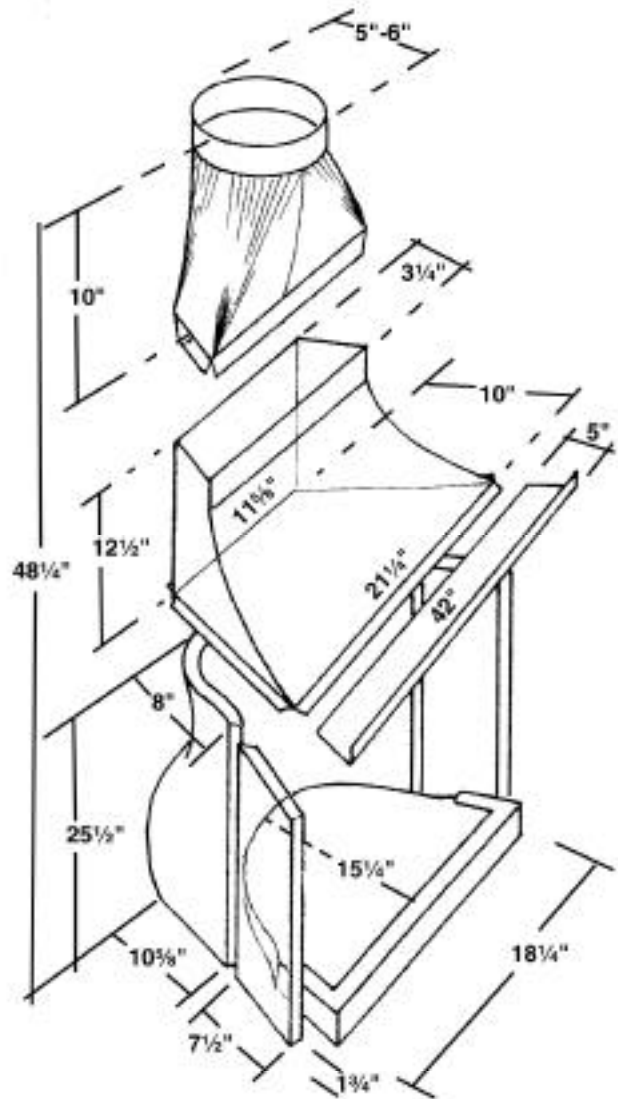


The Bellfires® BSV Family

THE SUPER VENT™ RETROFIT

The Super Vent is the Repair Unit with the addition of a correctly proportioned Smoke Chamber design, constructed of type 316 stainless steel for lifetime durability.

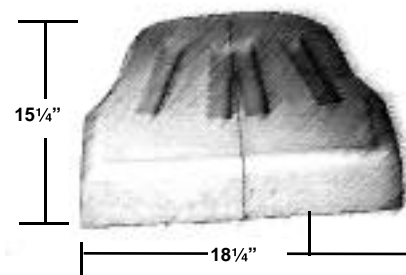
The Smoke Chamber is connected to a properly sized round or oval Super Flex® flexible flue liner. Cera-Foil® space age insulating blanket insulates the entire Super Vent™ system, stopping heat transfer to combustibles—the cause of home fires. In homes where the fireplace is in question for whatever reason, the Bellfire Super Vent has established itself as a safe, state-of-the-art, non smoking super radiant fireplace retrofit system.



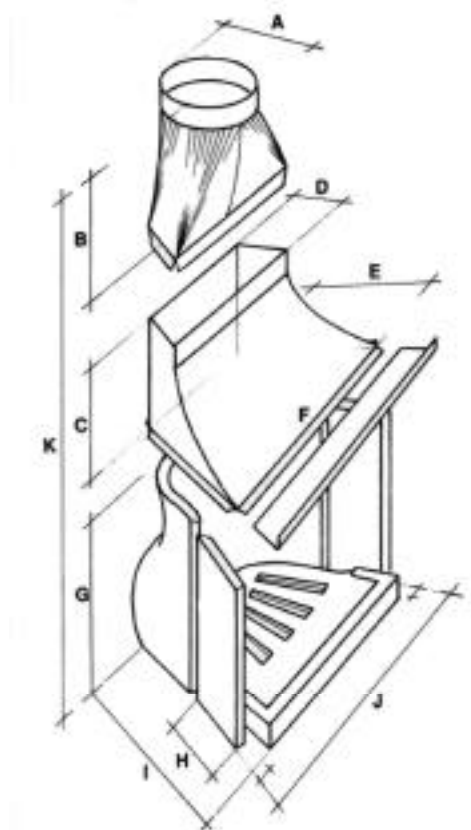
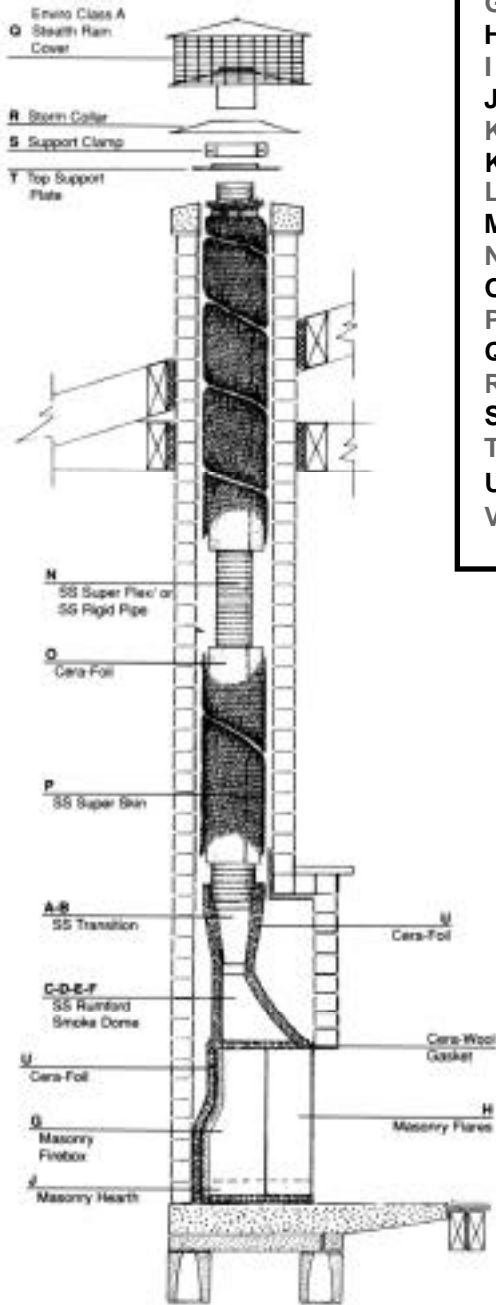
BSV 19



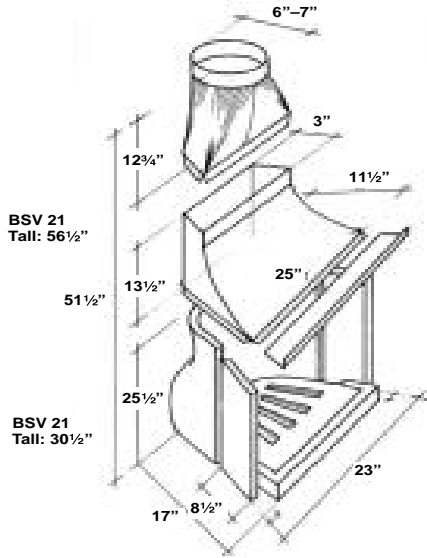
The
Latest
Member
of the
Bellfires®
Family



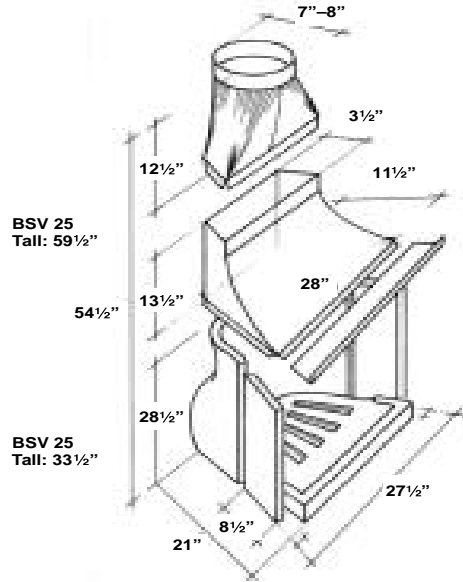
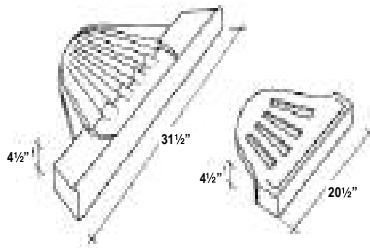
	BSV 19	BSV 21	BSV 25	BSV 28	BSV 36
A	5" – 6"	6" – 7"	7" – 8"	8"	9" – 10"
B	10"	12 ³ / ₄ "	12 ¹ / ₂ "	14 ¹ / ₂ "	14 ¹ / ₂ "
C	12 ¹ / ₂ "	13 ¹ / ₂ "	13 ¹ / ₂ "	13 ¹ / ₂ "	16"
D	3 ¹ / ₄ "	3"	3 ¹ / ₂ "	3 ¹ / ₂ "	4"
E	10"	11 ¹ / ₂ "	11 ¹ / ₂ "	12"	18"
F	21 ¹ / ₄ "	25"	28"	31"	42 ¹ / ₂ "
G	25 ¹ / ₂ "	25 ¹ / ₂ "	28 ¹ / ₂ "	28 ¹ / ₂ "	28 ¹ / ₂ "
G tall	NA	30 ¹ / ₂ "	33 ¹ / ₂ "	33 ¹ / ₂ "	33 ¹ / ₂ "
H	7 ¹ / ₂ "	8 ¹ / ₂ "	8 ¹ / ₂ "	8 ¹ / ₂ "	8 ¹ / ₂ " – 12"
I	17"	17"	21"	19 ³ / ₄ "	20 ¹ / ₂ "
J	21"	23"	27 ¹ / ₂ "	31 ¹ / ₂ "	40"
K	48 ¹ / ₄ "	51 ¹ / ₂ "	54 ¹ / ₂ "	56 ¹ / ₂ "	59"
K tall	NA	56 ¹ / ₂ "	59 ¹ / ₂ "	61 ¹ / ₂ "	64"
L	18"	20 ¹ / ₂ "	25"	29"	37"
M	31 ¹ / ₂ "	31 ¹ / ₂ "	–	42"	–
N	5" – 6"	6" – 7"	7" – 8"	8"	9" – 10"
O	1/4" – 1/2"	1/4" – 1/2"	1/4" – 1/2"	1/4" – 1/2"	1/2" – 1"
P	14"	18"	18"	18"	18"
Q	5" – 6"	6" – 7"	7" – 8"	8"	9" – 10"
R	5" – 6"	6" – 7"	7" – 8"	8"	9" – 10"
S	5" – 6"	6" – 7"	7" – 8"	8"	9" – 10"
T	5" – 6"	6" – 7"	7" – 8"	8"	9" – 10"
U	1"	1"	1"	1"	1"
V	4 ¹ / ₂ "	4 ¹ / ₂ "	4 ¹ / ₂ "	4 ¹ / ₂ "	4 ¹ / ₂ "



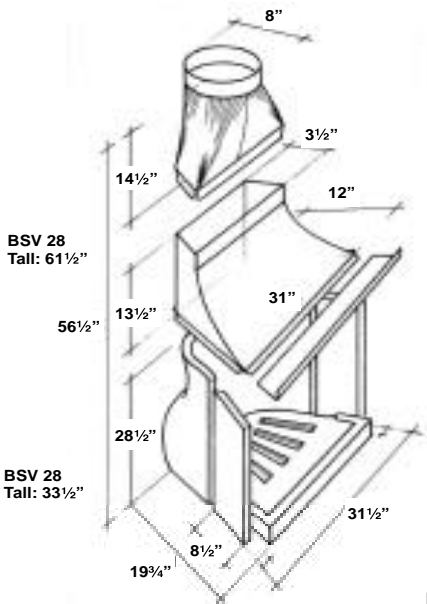
SUPER VENT RETROFIT



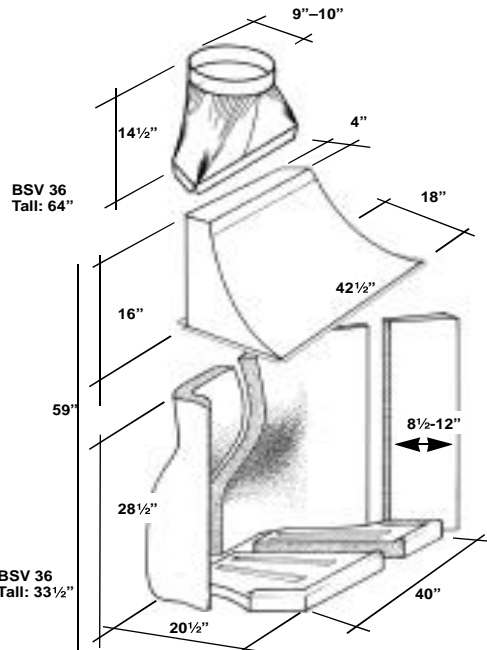
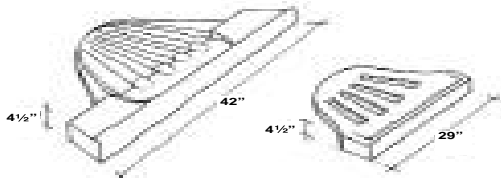
BSV 21



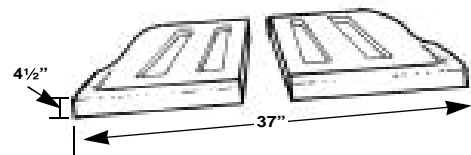
BSV 25



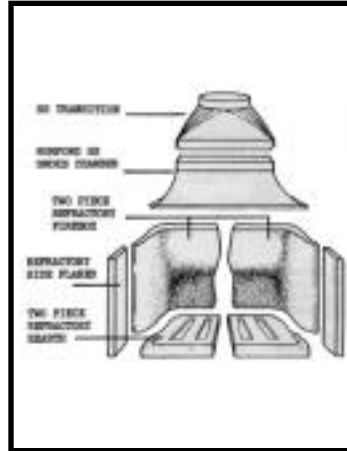
BSV 28



BSV 36



The Bellfires® S36



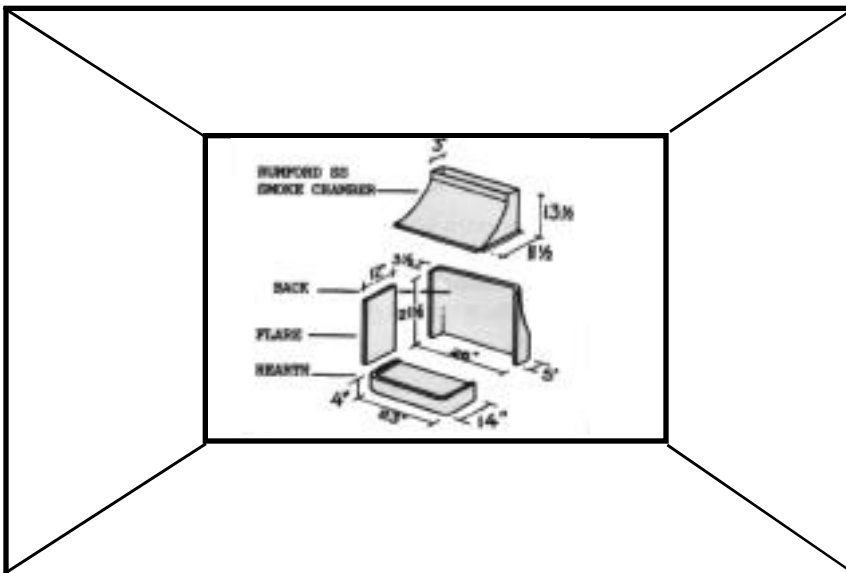
**The World's most powerful
open hearth design.
Truly Awesome!**

THE BELLFIRES® S36

A new super wide extra wall thickness two piece firebox and hearth design. Available in both standard 28½" and 33½" height. This is the answer to the 42+ wide fireplace.

Venting
on either 9" or 10" diameter liner via a larger diameter Rumford Venturi smoke chamber. The Bellfires® S36 can accommodate fireplace openings of 2100 square inches or a 36 x 60 dimension. Log capacity is 34" long.

BELLFIRES® THE HEARTHWARMER™



THE HEARTHWARMER™ Repair Unit and Smoke Chamber

Install as a fireback in very small masonry fireplaces. Also ideal as a heavy duty replacement for metal zero clearance fireboxes. Add the Rumford SS Smoke Chamber either two sides open corner fireplace, or a three-sided open design.

The Bellfires® BCC Family

THE CLOSE CLEARANCE WOOD FLOOR MODEL

For new construction or renovation, a fireplace that requires no foundation or footings. Ideal where it would be difficult to install a conventional masonry fireplace. The Bellfires® refractory firebox, hearth, side flares, and smoke chamber are enclosed in a heavy 20 gauge steel outer shell, perfect for installation in seismic areas. A fireplace design that utilizes proprietary thermal insulation technology and meticulous metal fabrication found nowhere else. This unit can be placed on a wood floor and positioned within 2" to combustible rear and side walls. The Rumford styled smoke chamber vents into Class "A" insulated flue. Super radiant heat output and thorough combustion provide ample warmth and fuel efficiency that sets new standards for the open hearth. The refractory firebox stores heat and warms the house long after the flames have subsided. Our two close clearance fireplaces are available in widths of 26"-34" and 25"-33" high.



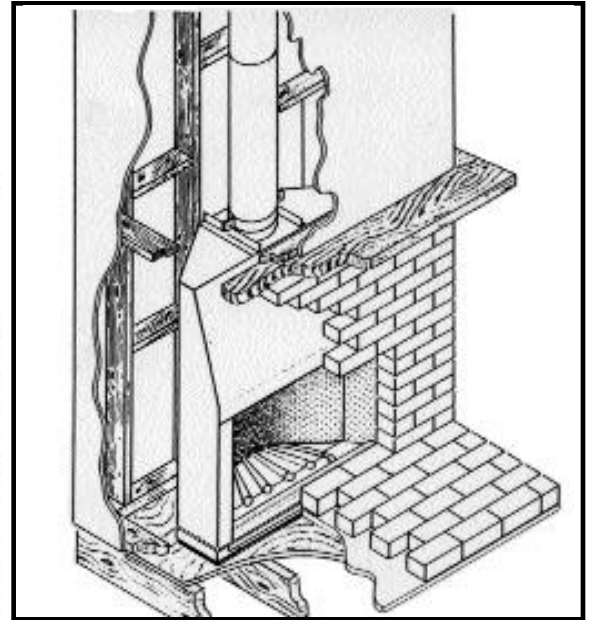
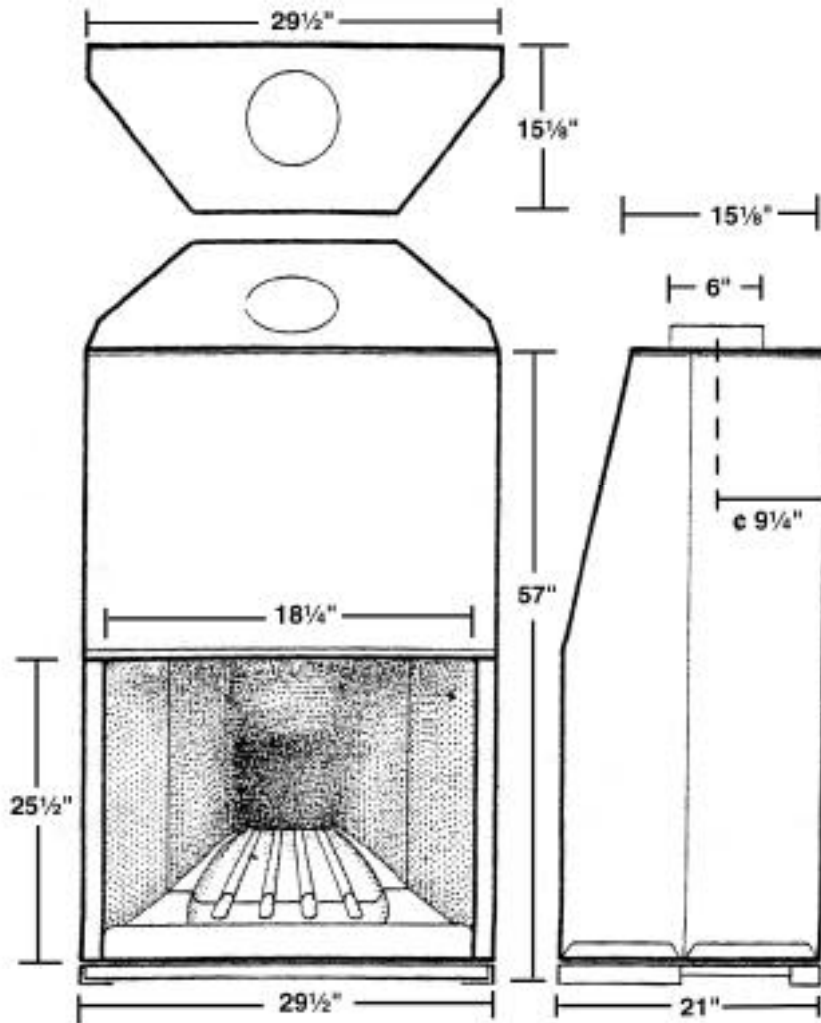
**The BCC 21 and
BCC 28 Families**



**The
BCC 19**

BCC 19 Specifications & Dimensions

BCC 19 STANDARD



Warnock Hersey



SPECIFICATIONS

NAME: BELLFIRES® Close Clearance

MODELS and WEIGHT:

BCC21 STANDARD	500 lbs.
BCC21 TALL	575 lbs.
BCC28 STANDARD	765 lbs.
BCC28 TALL	840 lbs.

FIREBOX MATERIAL:

3000° 70% High alumina castable refractory
3" thick stainless steel fiber reinforced

SMOKE CHAMBER:

Advanced reinforced design
3000° 70% High alumina castable refractory
3" thick stainless steel fiber reinforced

THERMAL INSULATION:

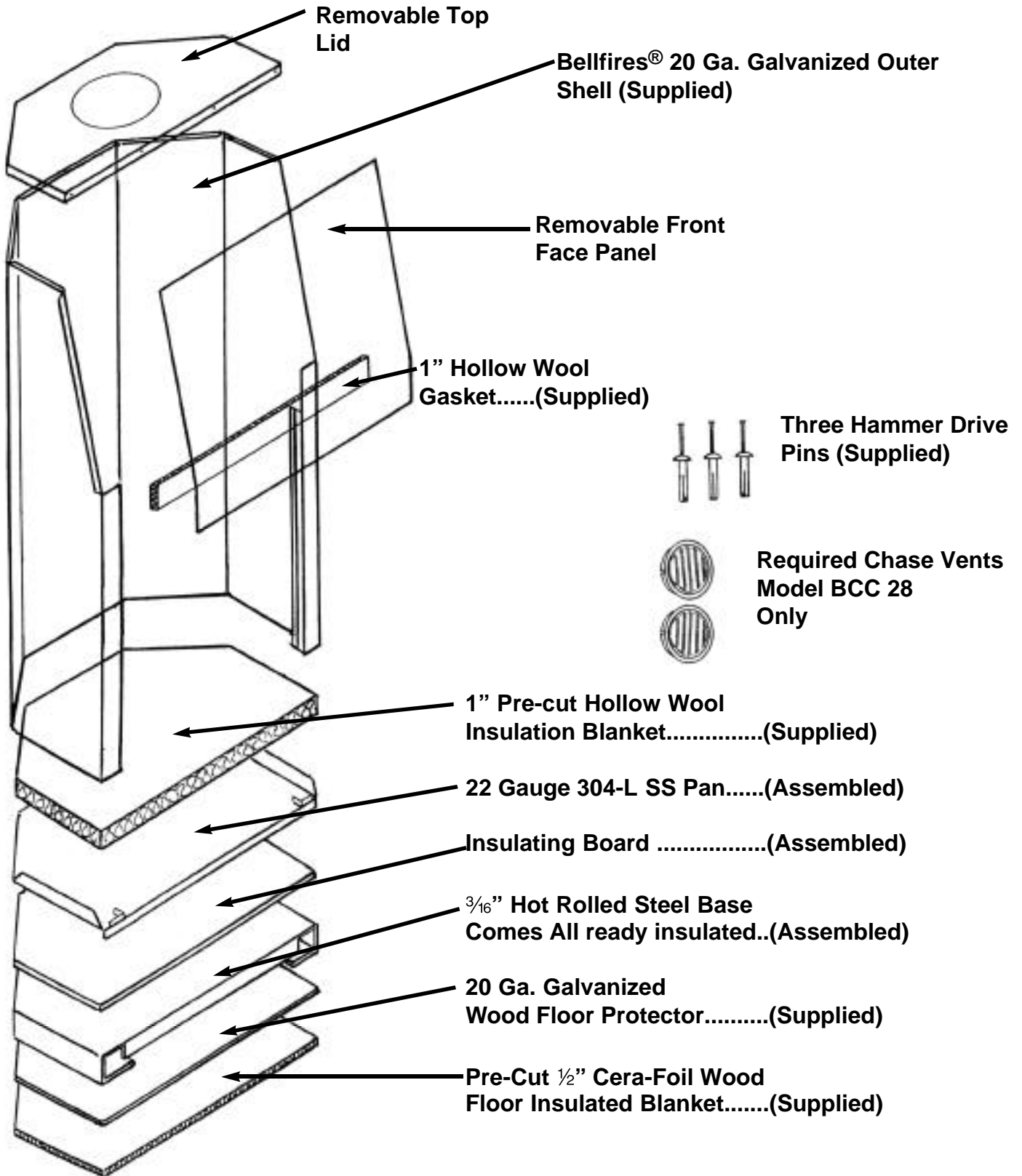
3" x 8 lb. Hollow Wool™
Blanket/Perlite insulation

OUTER SHELL:

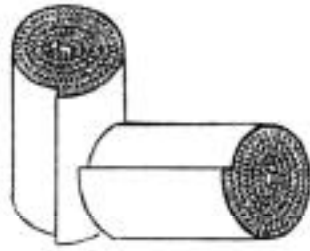
20 Gauge galvanized steel
⅜" thick hotrolled steel
Suspension base



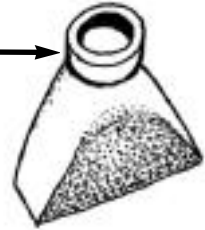
Close Clearance Wood Floor Parts



Pre-sized 3 x 8 lb.
density Hollow Wool
Blanket (Supplied)



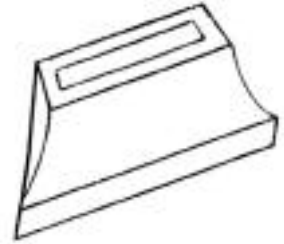
Masonry Turbo
(supplied)



One can of Spray Glue
(Supplied)



Rumford Smoke
Dome (supplied)

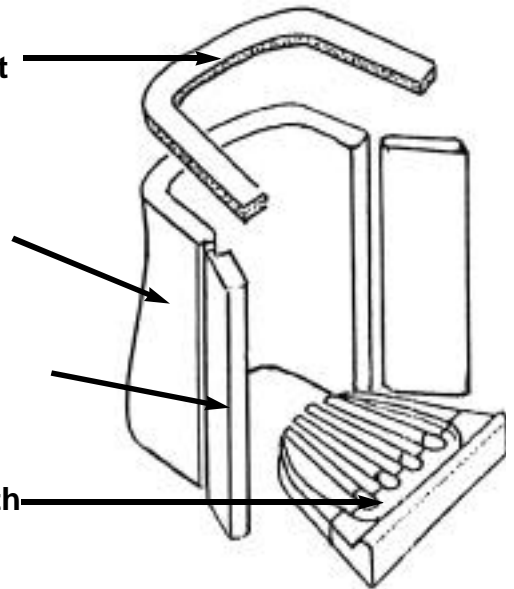


Hollow Wool Gasket
(supplied)

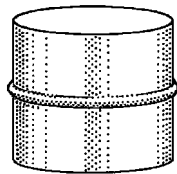
Refractory Firebox
(supplied)

Two Refractory Flares
(supplied)

Two Piece Refractory Hearth
(supplied)



Slip connector
(supplied)



One Bag of Perlite for Model BCC 21
(supplied)

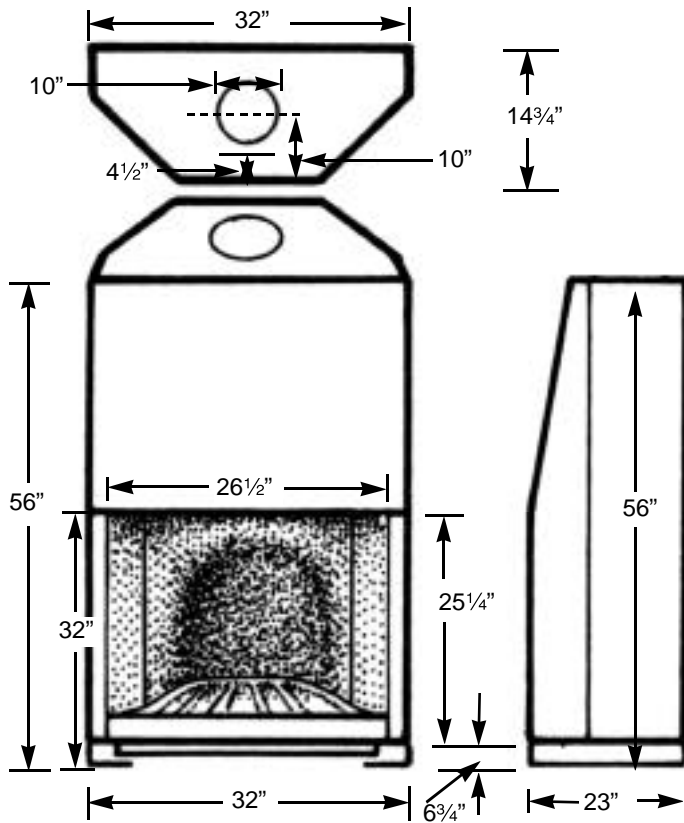
Two Bags of Perlite for Model BCC 28
(supplied)



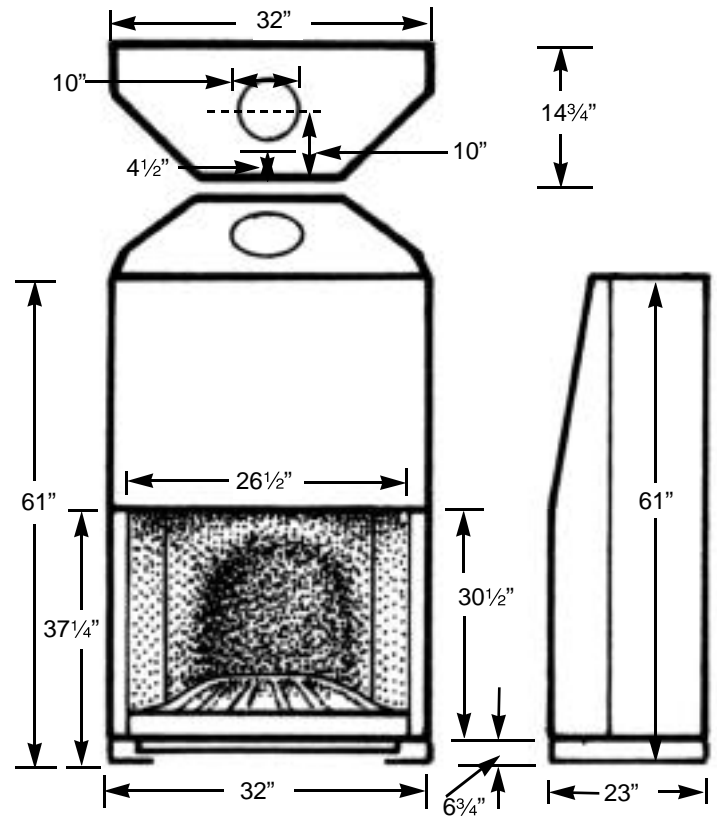
Bellfires® Hearth Extension Pad
(Optional) (Suggested)

BCC 21 Specifications & Dimensions

BCC21 STANDARD



BCC 21 TALL



SPECIFICATIONS

NAME: BELLFIRES® Close Clearance

MODELS and WEIGHT:

BCC21 STANDARD 500 lbs.
 BCC21 TALL 575 lbs.

FIREBOX MATERIAL:

3000° 70% High alumina castable refractory
 3" thick stainless steel fiber reinforced

SMOKE CHAMBER:

Advanced reinforced design
 3000° 70% High alumina castable refractory
 3" thick stainless steel fiber reinforced

THERMAL INSULATION:

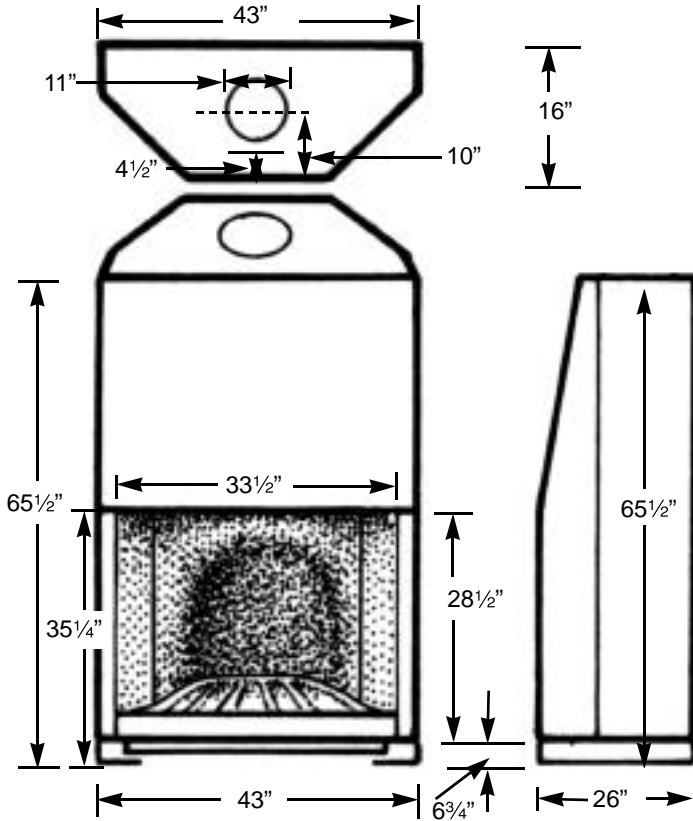
3" x 8 lb. Hollow Wool™
 Blanket/Perlite insulation

OUTER SHELL:

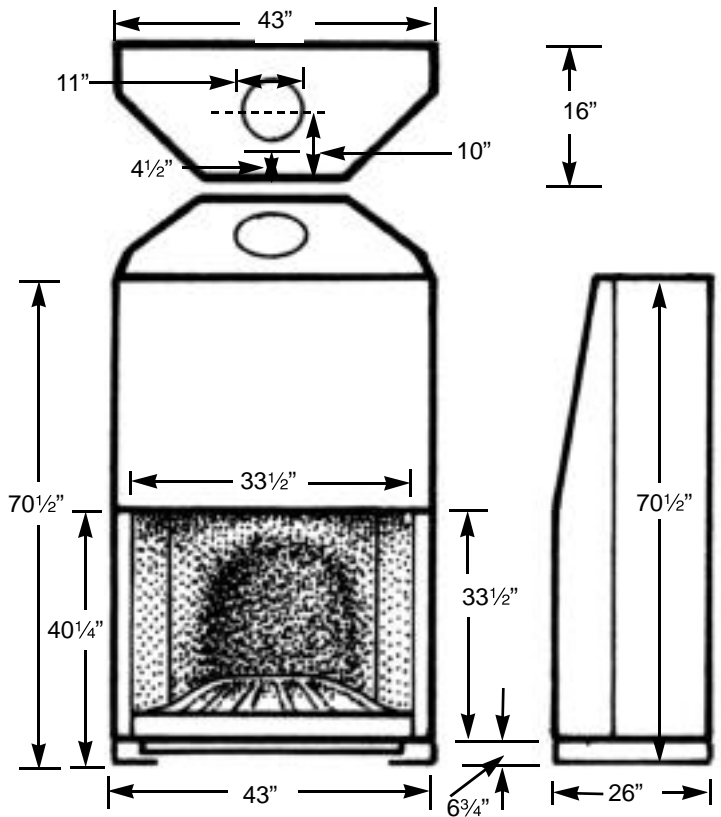
20 Gauge galvanized steel
 3/16" thick hotrolled steel
 Suspension base

BCC 28 Specifications & Dimensions

BCC28 STANDARD



BCC 28 TALL



SPECIFICATIONS

NAME: BELLFIRES® Close Clearance

MODELS and WEIGHT:

BCC28 STANDARD 765 lbs
 BCC28 TALL 840 lbs.

FIREBOX MATERIAL:

3000° 70% High alumina castable refractory
 3" thick stainless steel fiber reinforced

SMOKE CHAMBER:

Advanced reinforced design
 3000° 70% High alumina castable refractory
 3" thick stainless steel fiber reinforced

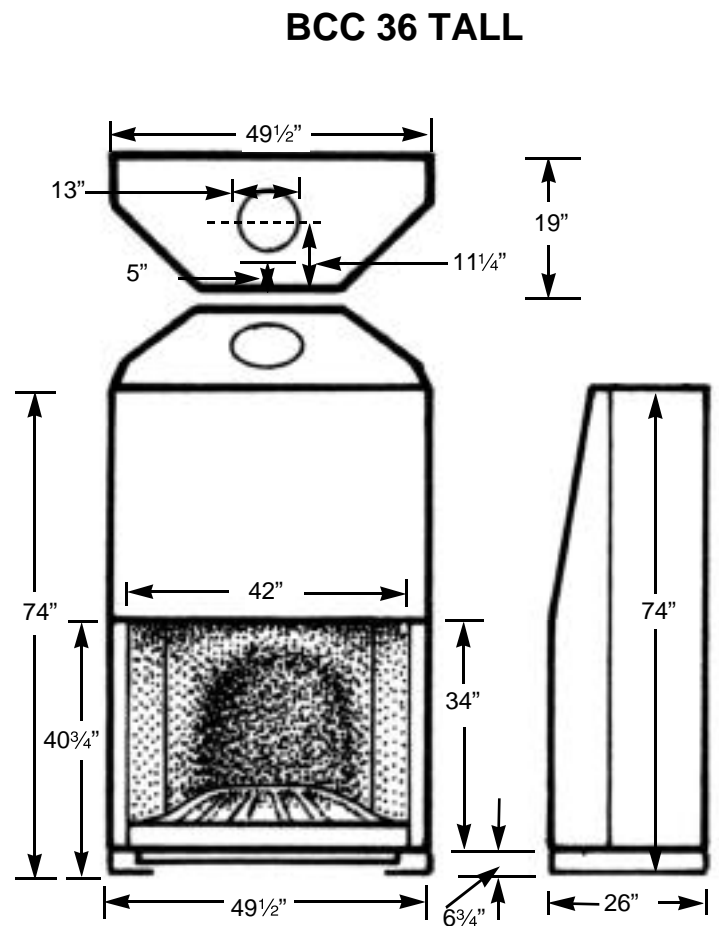
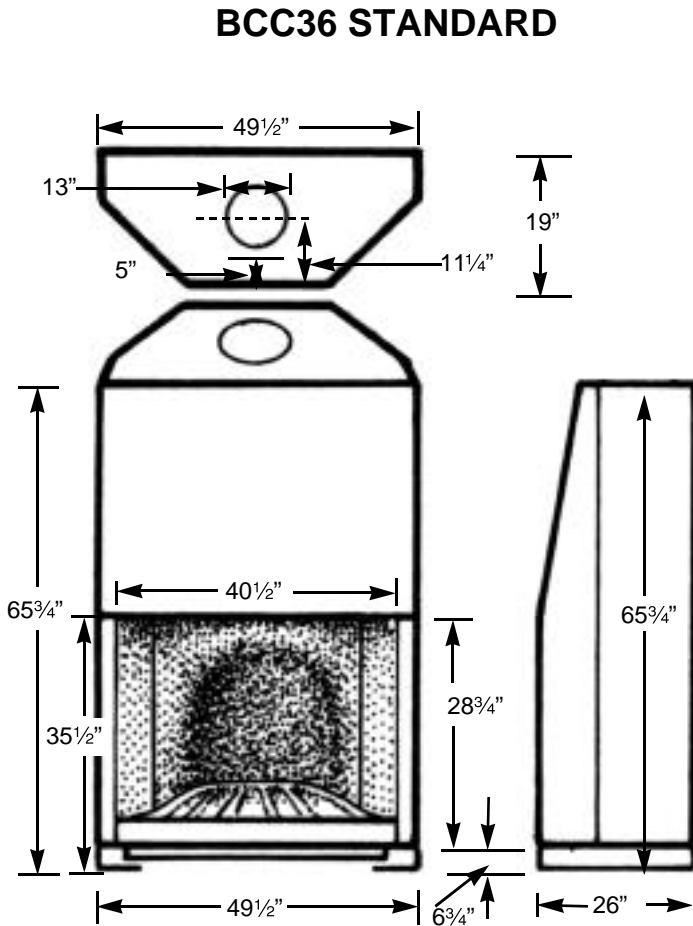
THERMAL INSULATION:

3" x 8 lb. Hollow Wool™
 Blanket/Perlite insulation

OUTER SHELL:

20 Gauge galvanized steel
 3/16" thick hotrolled steel
 Suspension base

BCC 36 Specifications & Dimensions



SPECIFICATIONS

NAME: BELLFIRES® Close Clearance

MODELS and WEIGHT:

BCC36 STANDARD 500 lbs.

BCC36TALL 575 lbs.

FIREBOX MATERIAL:

3000° 70% High alumina castable refractory
3" thick stainless steel fiber reinforced

SMOKE CHAMBER:

Advanced reinforced design
3000° 70% High alumina castable refractory
3" thick stainless steel fiber reinforced

THERMAL INSULATION:

3" x 8 lb. Hollow Wool™
Blanket/Perlite insulation

OUTER SHELL:

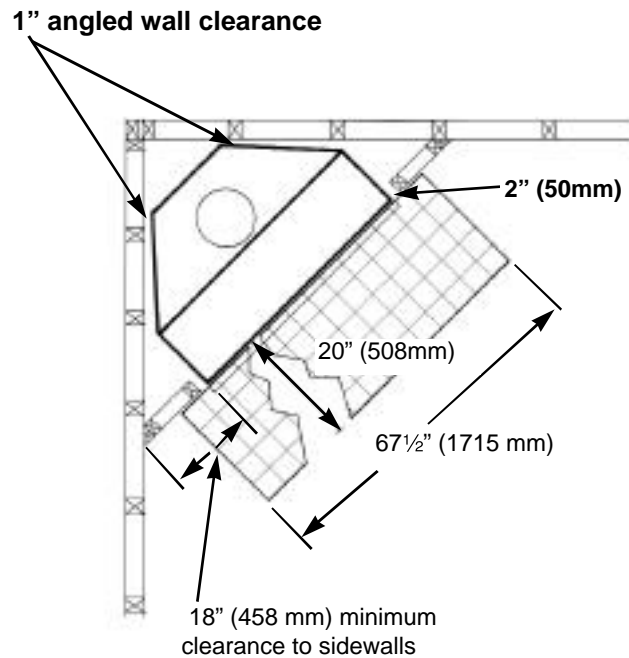
20 Gauge galvanized steel
3/16" thick hotrolled steel
Suspension base

By setting the Bellfires® BCC fireplace in the desired location in the room and using a plumb line, the position of a straight chimney above the fireplace can be simulated. Whenever possible, the BCC should be moved to minimize the cutting of ceiling joists and roof rafters or the use of chimney offsets.

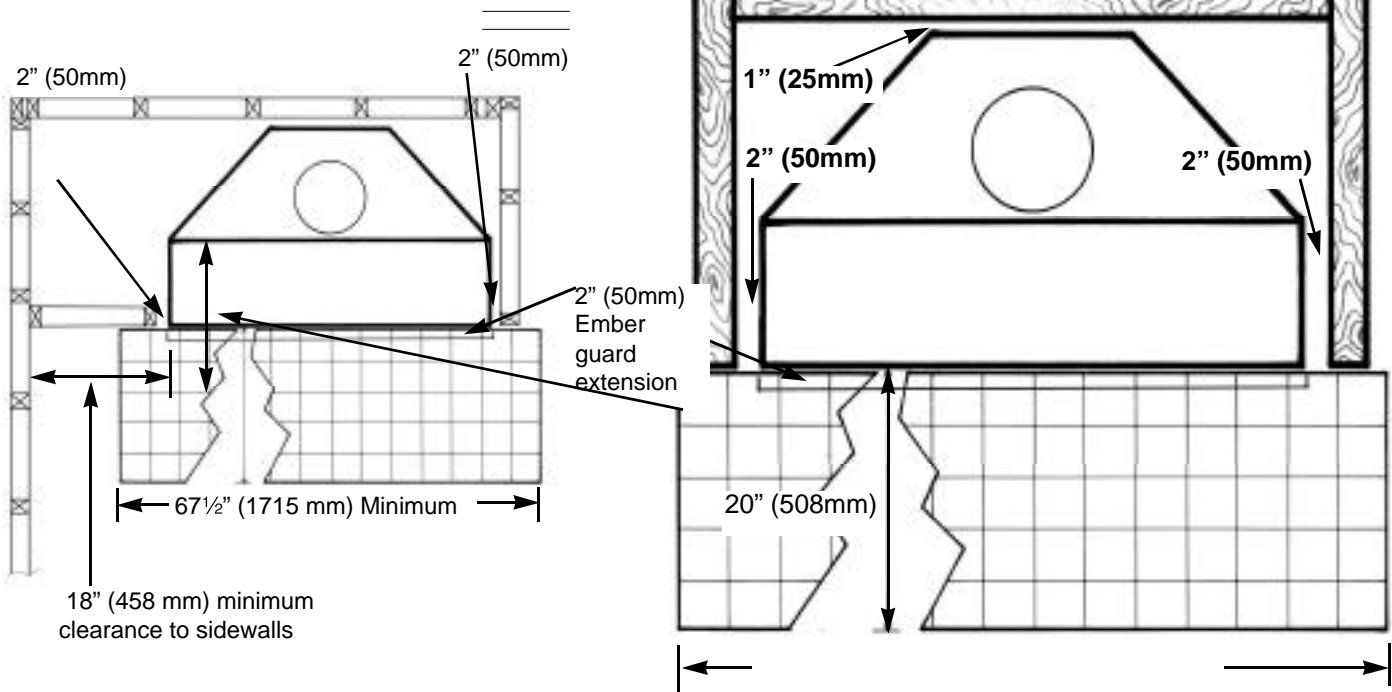
Once the desired location is determined, the floor, wall, and ceiling should be marked for cuts and framing, rechecked, and any reframing at the ceiling and rafters can be done.

Plans for framing the enclosure should be thoroughly checked. This is discussed more completely in the section on framing.

Corner Installation



Sidewall Installation



|

|

|

|